

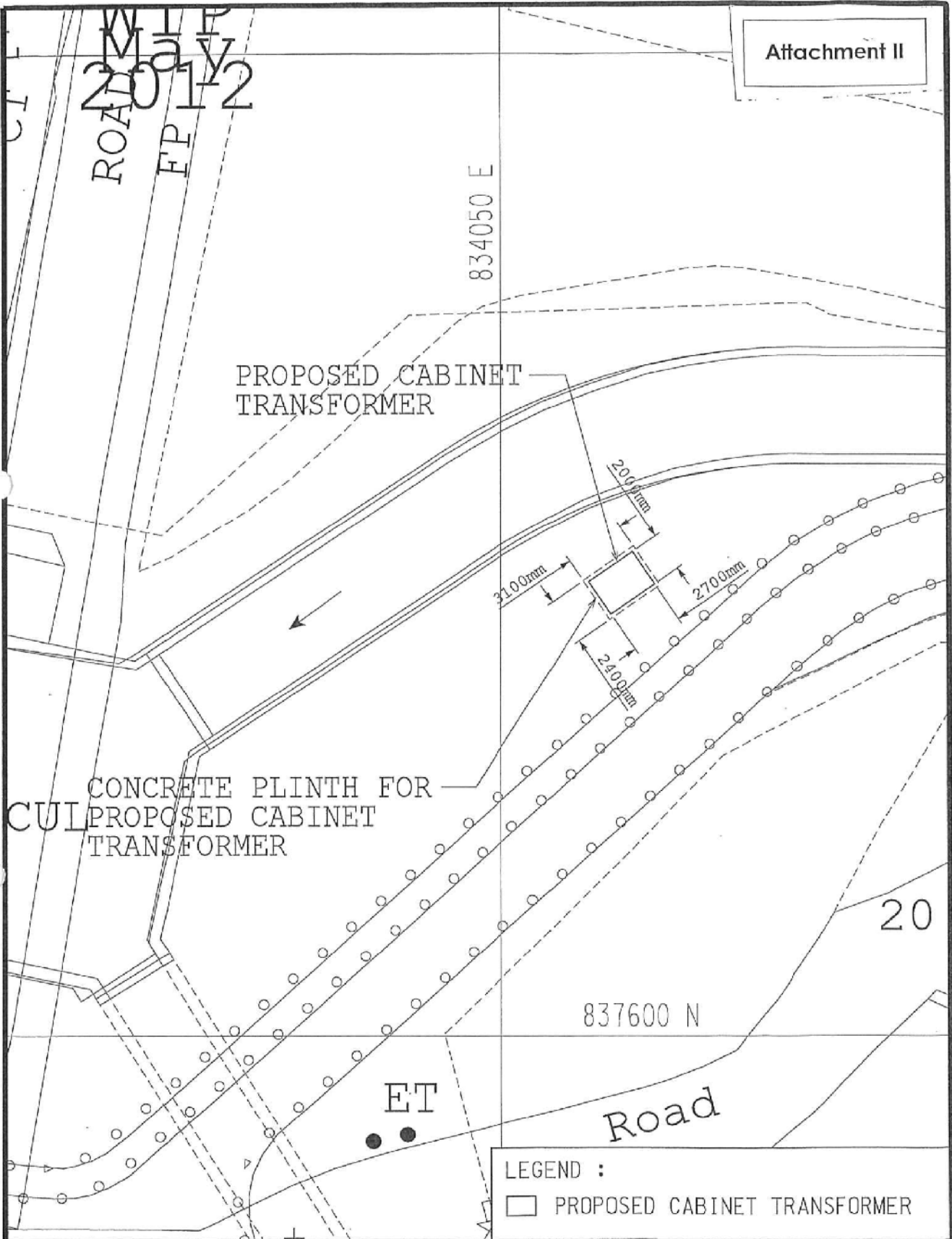
TITLE :
 LOCATION PLAN FOR
 PROPOSED CABINET
 TRANSFORMER
 AT YUEN LENG

DRAWING NO. N-GD19-0010	PLANNING & DESIGN - NORTH REGION	
SCALE:	DRAWN: NL LAU	DATE: 20-MAR-2019
SHEET: --	CHECKED: CM NG	PROJ NO:
	APPROVED:	MAP NO: 03SW18D



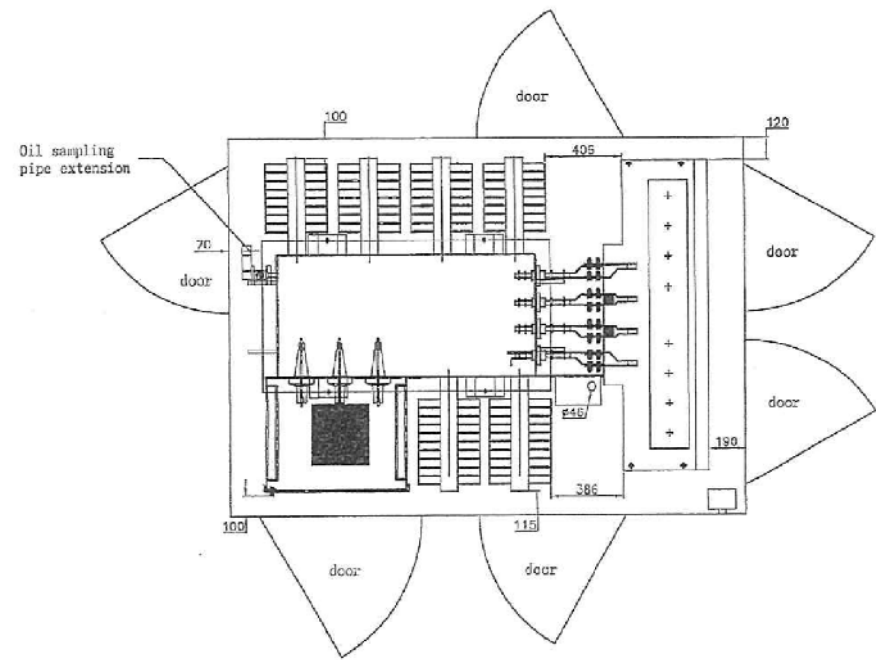
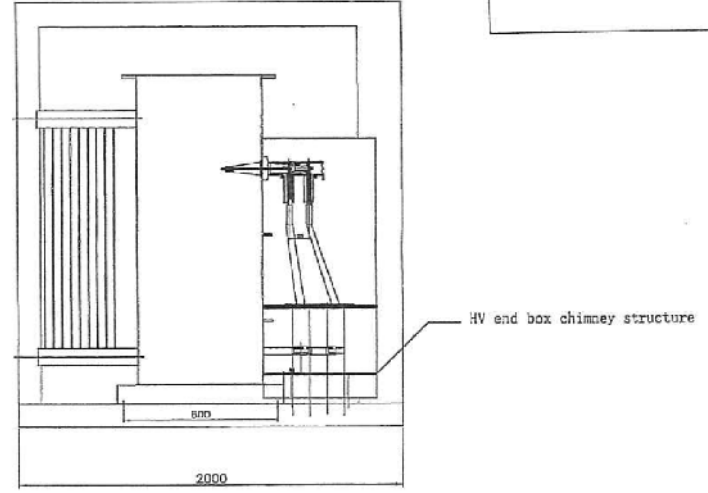
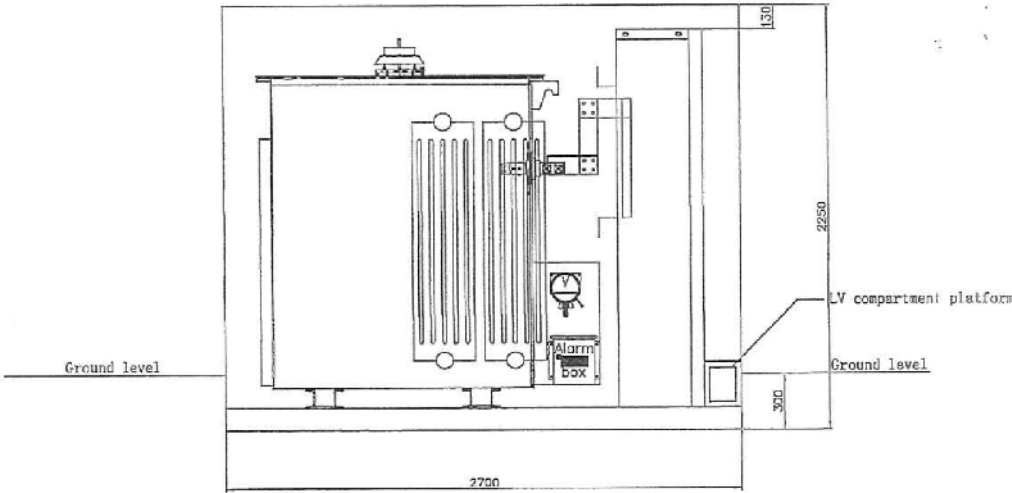
參考編號 REFERENCE No. A/NE-KLH/580 繪圖 DRAWING A-1

(來源 : 申請人建議書)
 (SOURCE : APPLICANT'S SUBMISSION PLAN)



TITLE : LOCATION PLAN FOR PROPOSED CABINET TRANSFORMER AT YUEN LENG	DRAWING NO. N-GD19-0014	PLANNING & DESIGN - NORTH REGION		CLP 中電
	SCALE:	DRAWN: NL LAU	DATE: 16-APR-2019	
	SHEET: --	CHECKED: CM NG	PROJ NO:	
		APPROVED:	MAP NO: 03SW18D	

參考編號 REFERENCE No. A/NE-KLH/580 繪圖 DRAWING A-2



CLP Power Hong Kong Limited

CATEGORY 'I'
APPROVED

Date 15 JUL 2014

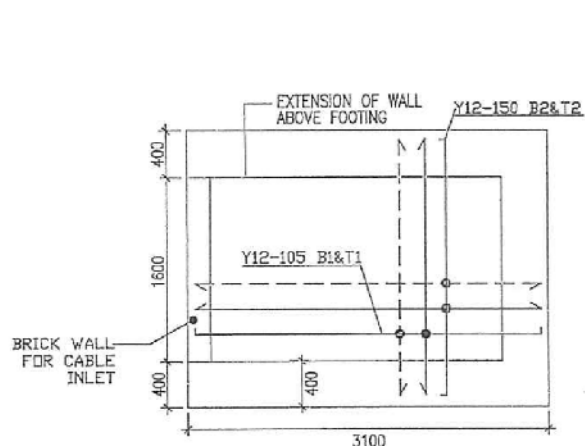
This approval does not relieve the responsibility of manufacturer in ensuring correctness of all data on this drawing

Signed by: *[Signature]*

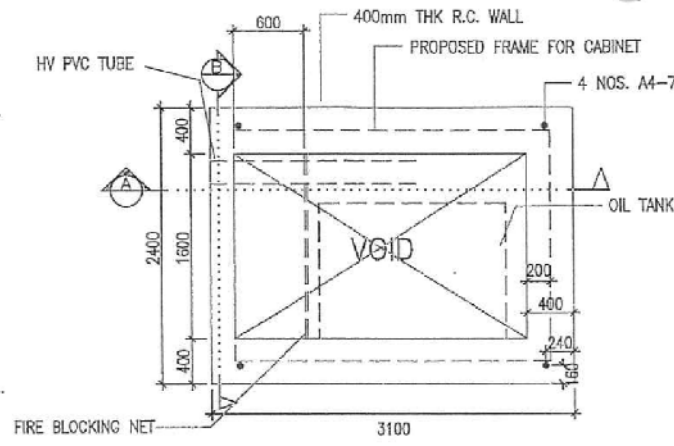
All dimensions are in mm.

		REV.	DESCRIPTION	DATE	CHK.
		TITLE: 1000KVA silicone oil transformer—layout of the cabinet transformer			
CONTRACTOR:					
DRAWN: Zhang Chunxi		DATE: 2012.12.08			
CHECKED:		APPROVED:			
SCALE:		SHEET(S) IN SET:		PROJECT NO.:	CONTRACT NO.:
ASSET MANAGEMENT		DRG. NO.:	T S S D 5 4 2 1 0	D S M S 3 2 0 1	2 6 S

參考編號 REFERENCE No. A/NE-KLH/580 繪圖 DRAWING A-3

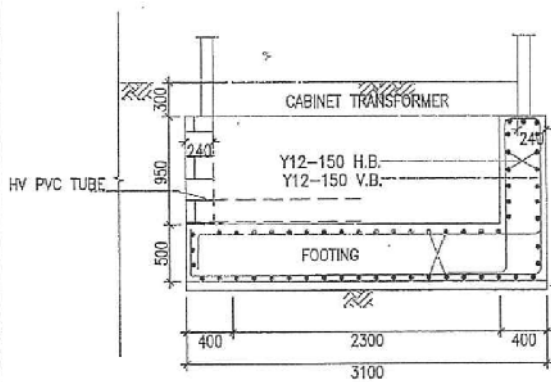


PLAN OF FOOTING

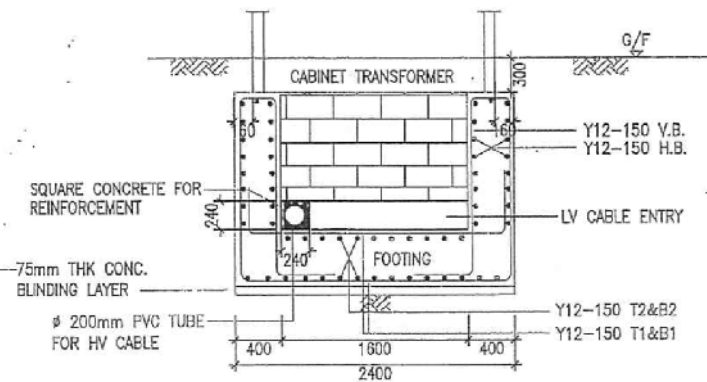


TOP ELEVATION WALL
IMPOSED LOAD = 20kPa

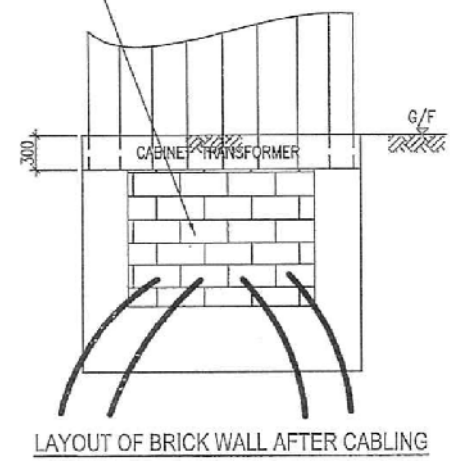
Trench outlets to be bricked up with 230mm thick brick wall up to underside cement/sand plaster on outer face (by cable laying contractor) upon cable laid. The sealing of PVC tube (by cable laying contractor) should be according to Technical Guideline on cable duct & manhole installation PS-TG-0123.



SECTION A-A



SECTION B-B



LAYOUT OF BRICK WALL AFTER CABLING

CLP Power Hong Kong Limited

CATEGORY 'I'
APPROVED

Date 19 JAN 2016

This approval does not relieve the responsibility of manufacturer in ensuring correctness of all data on this drawing

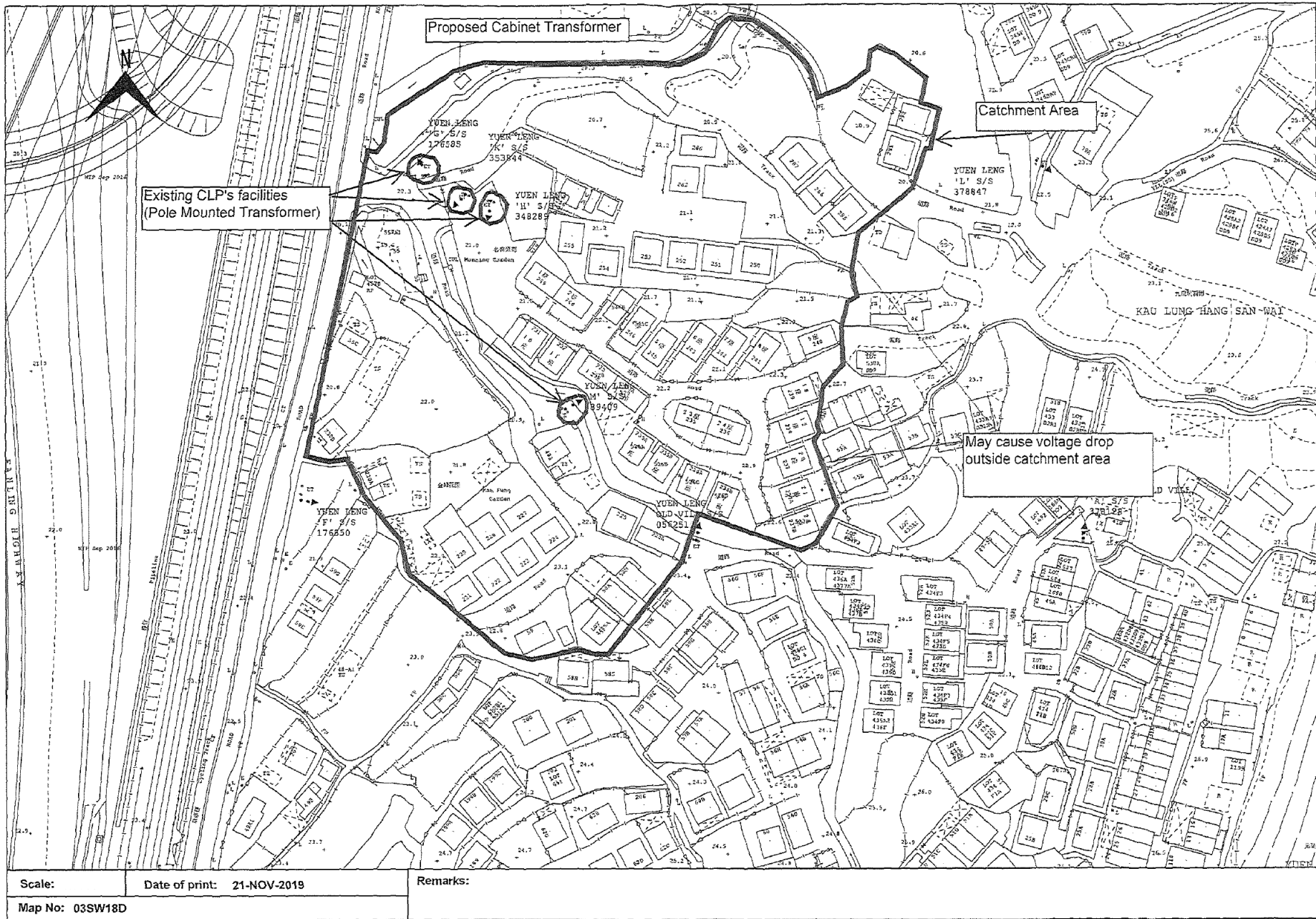
Signed by: [Signature]

Information Class: PROPRIETARY 資料

		REV.	DESCRIPTION	DATE	CHK.
		TITLE			
CONTRACTOR: SIEMENS LTD. DRAWN: JEFFREY CHENG DATE: 05 DEC 2015 CHECKED: ANDY TAI APPROVED: KELVIN LEE SCALE: N.T.S. SHEETS: 01 IN SET		CABINET TRANSFORMER - REINFORCED CONCRETE FOOTING			
PROJECT NO: ASSET MANAGEMENT DRG. NO: T/S/S/D/S/4/2/1/0		CONTRACT NO: 4600003540 DRG. NO: T/S/S/D/S/4/2/1/0			

INFORMATION CLASS: PROPRIETARY

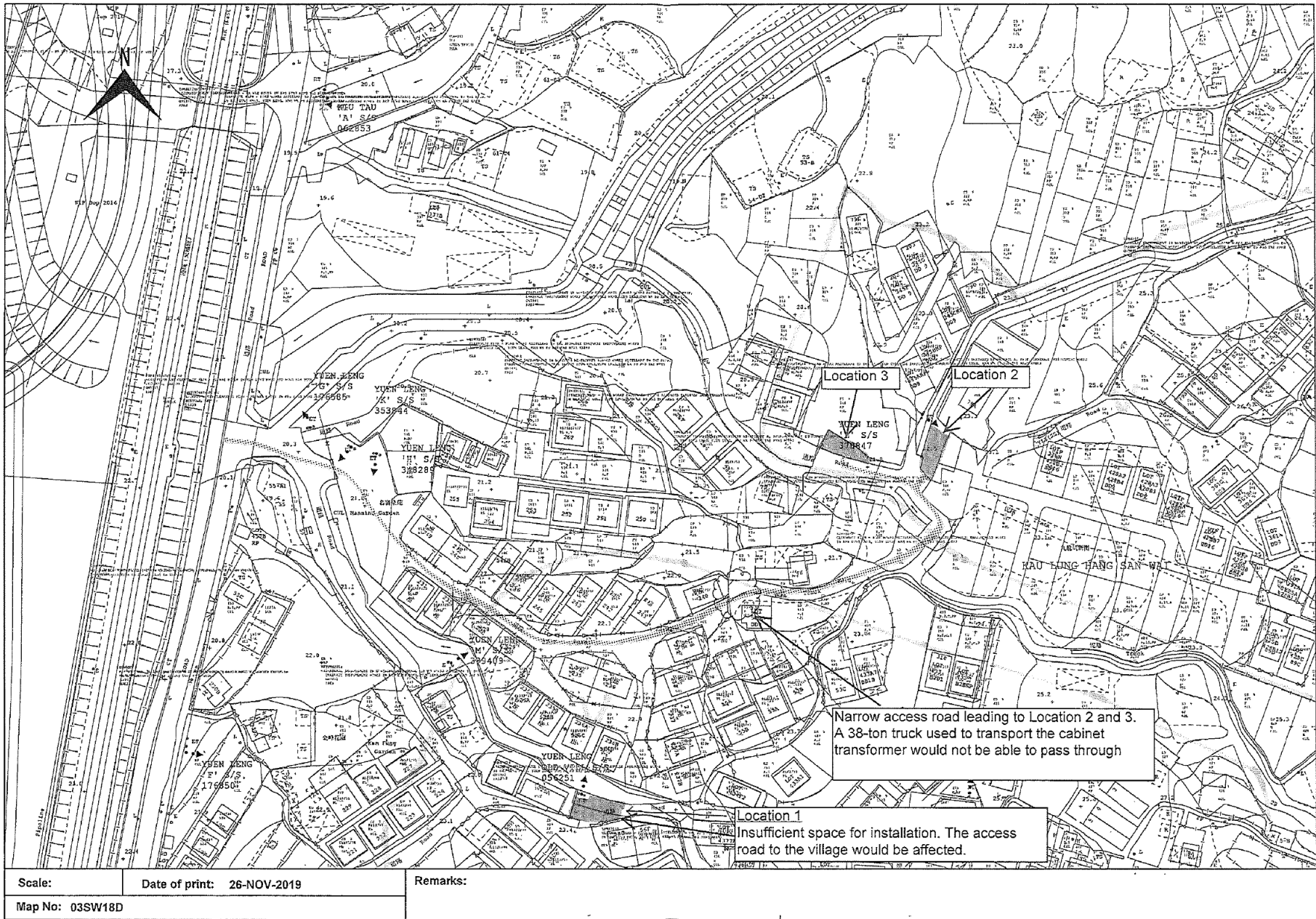
參考編號 REFERENCE NO. A/NE-KLH/580 繪圖 DRAWING A-4



參考編號
REFERENCE NO. A/NE-KLH/580

繪圖 DRAWING A-5

(來源：申請人建議書)
(SOURCE: APPLICANT'S SUBMISSION PLAN)



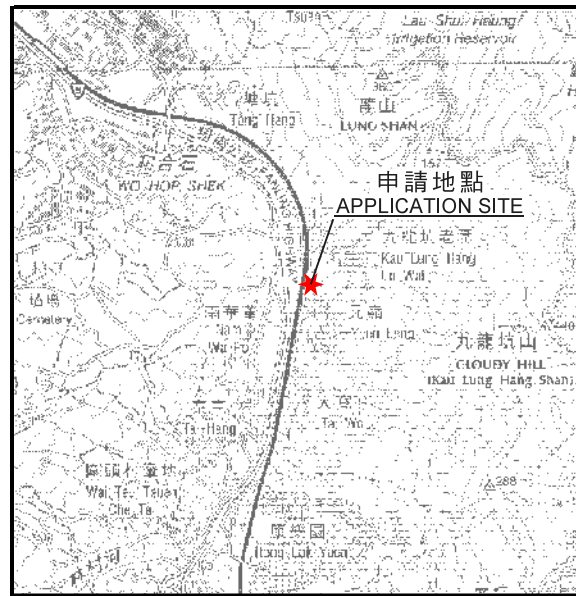
Scale: _____ Date of print: 26-NOV-2019
 Map No: 03SW18D

Remarks:
 Location 1
 Insufficient space for installation. The access road to the village would be affected.
 Location 2
 Location 3
 Narrow access road leading to Location 2 and 3. A 38-ton truck used to transport the cabinet transformer would not be able to pass through

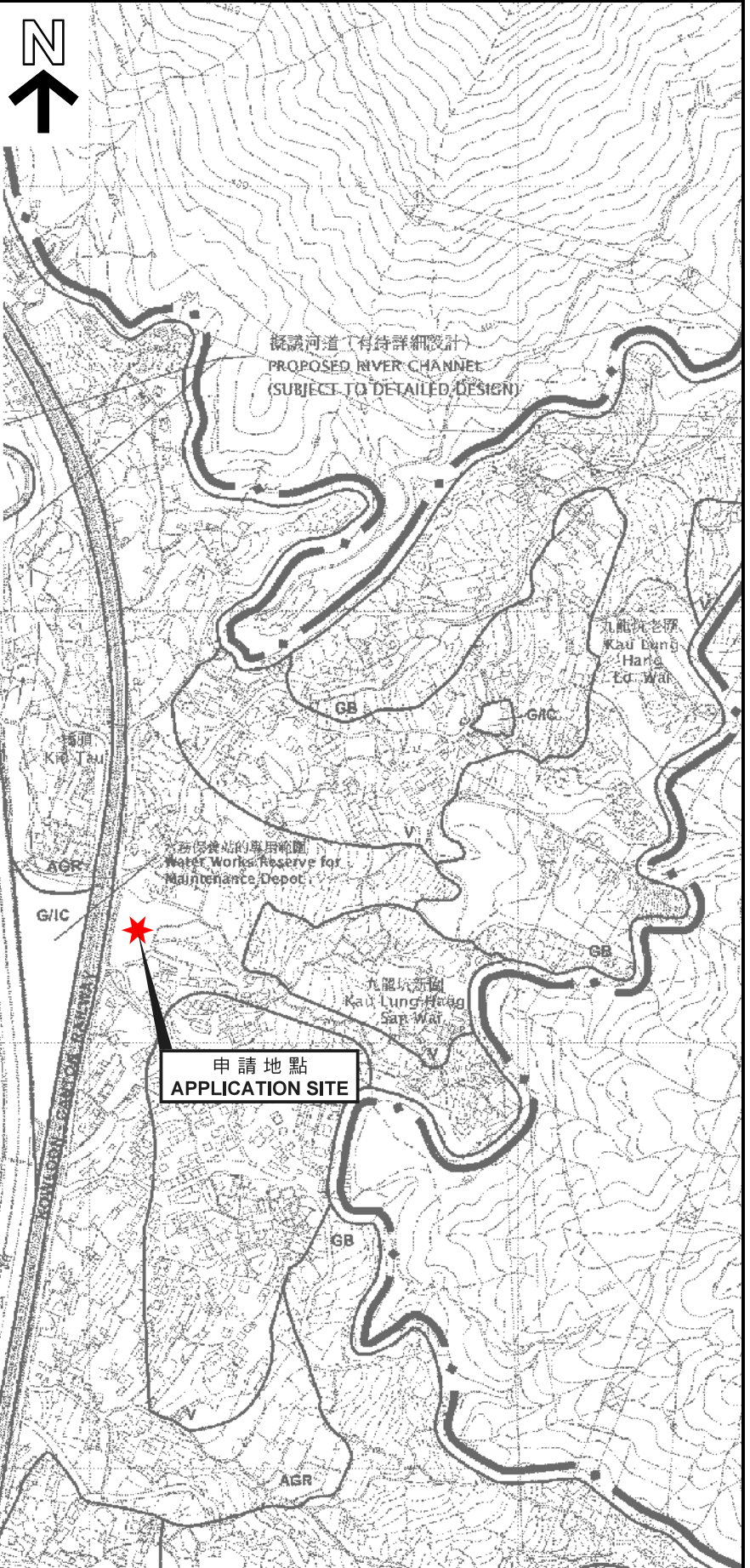
Map data reproduced with permission of the Director of Lands, (C) Hong Kong. Reproduction in any form must be approved by CLP Power.

參考編號 REFERENCE NO. A/NE-KLH/580 繪圖 DRAWING A-6

(來源 : 申請人建議書)
 (SOURCE : APPLICANT'S SUBMISSION PLAN)



要覽圖 KEY PLAN
SCALE 1 : 50 000 比例尺



位置圖 LOCATION PLAN

本摘要圖於2019年12月2日擬備，
所根據的資料為於2006年10月17日核准的
分區計劃大綱圖編號S/NE-KLH/11
EXTRACT PLAN PREPARED ON 2.12.2019
BASED ON OUTLINE ZONING PLAN
No. S/NE-KLH/11 APPROVED ON 17.10.2006

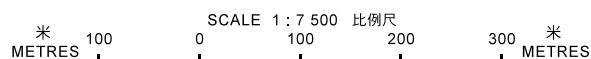
擬議公用事業設施裝置(組裝供電變壓器)
大埔九龍坑元嶺丈量約份第9約的政府土地
PROPOSED PUBLIC UTILITY INSTALLATION
(CABINET TRANSFORMER)
GOVERNMENT LAND IN D.D. 9,
YUEN LENG, KAU LUNG HANG, TAI PO

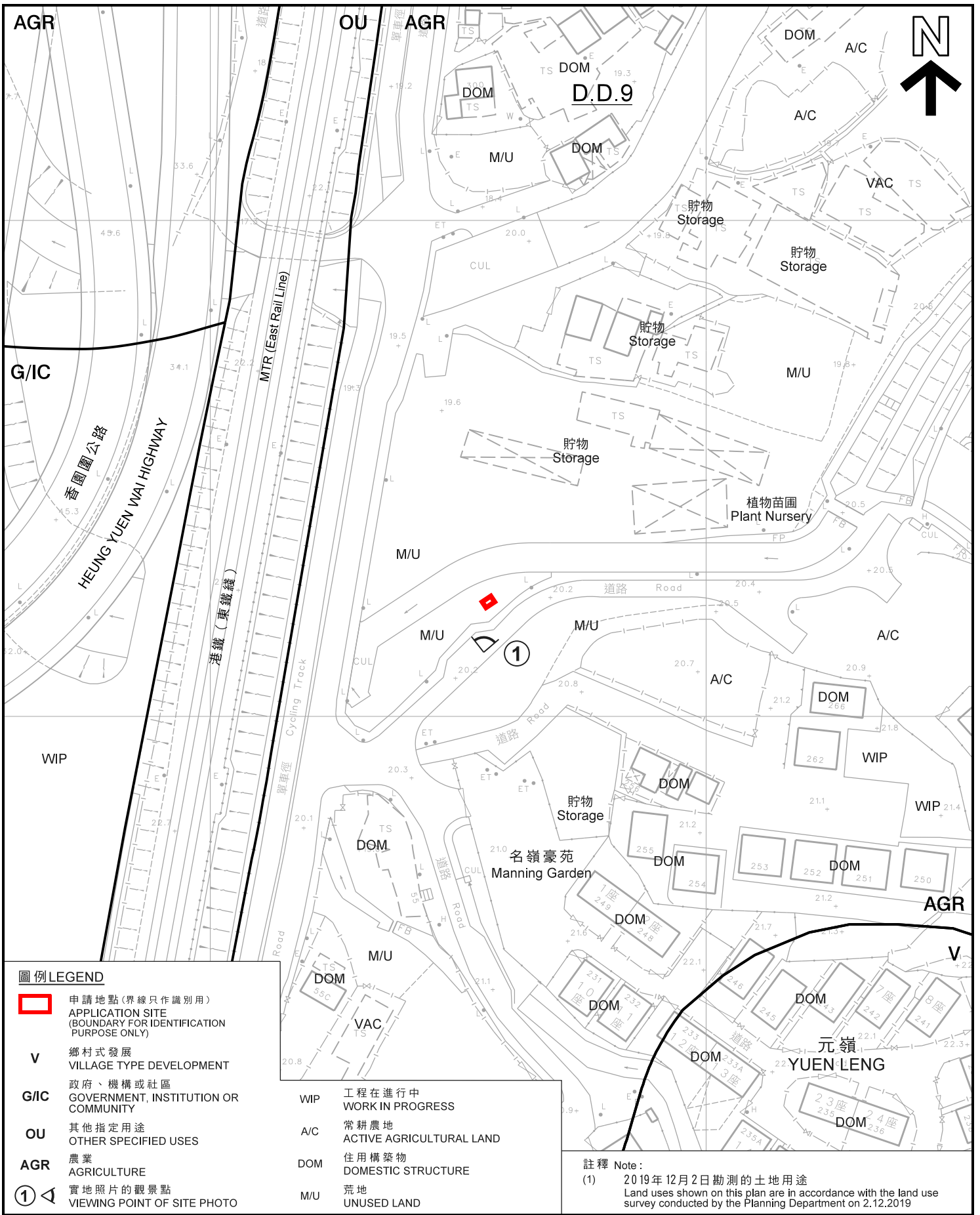
規劃署
PLANNING
DEPARTMENT



參考編號
REFERENCE No.
A/NE-KLH/580

圖 PLAN
A-1





圖例 LEGEND

- 申請地點(界線只作識別用)
APPLICATION SITE
(BOUNDARY FOR IDENTIFICATION
PURPOSE ONLY)
- V** 鄉村式發展
VILLAGE TYPE DEVELOPMENT
- G/IC** 政府、機構或社區
GOVERNMENT, INSTITUTION OR
COMMUNITY
- OU** 其他指定用途
OTHER SPECIFIED USES
- AGR** 農業
AGRICULTURE
- ①** 實地照片的觀景點
VIEWING POINT OF SITE PHOTO

- WIP** 工程在進行中
WORK IN PROGRESS
- A/C** 常耕農地
ACTIVE AGRICULTURAL LAND
- DOM** 住用構築物
DOMESTIC STRUCTURE
- M/U** 荒地
UNUSED LAND

註釋 Note:

(1) 2019年12月2日勘测的土地用途
Land uses shown on this plan are in accordance with the land use survey conducted by the Planning Department on 2.12.2019

平面圖 SITE PLAN

擬議公用事業設施裝置(組裝供電變壓器)
大埔九龍坑元嶺丈量約份第9約的政府土地
PROPOSED PUBLIC UTILITY INSTALLATION
(CABINET TRANSFORMER)
GOVERNMENT LAND IN D.D. 9,
YUEN LENG, KAU LUNG HANG, TAI PO

本摘要圖於2020年3月23日擬備，
所根據的資料為測量圖編號
3-SW-18D
EXTRACT PLAN PREPARED ON 23.3.2020
BASED ON SURVEY SHEET No.
3-SW-18D

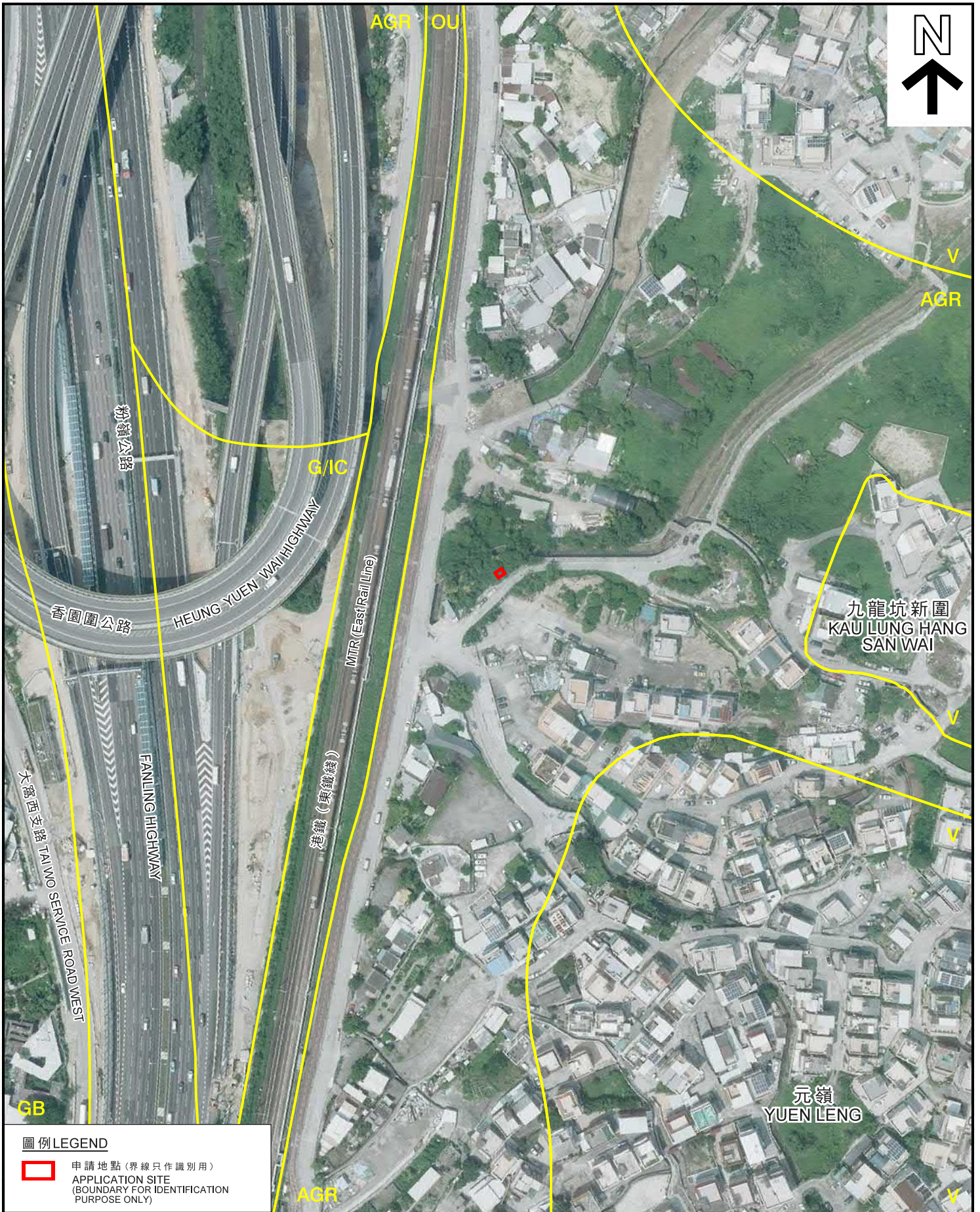
SCALE 1:1 000 比例尺
0 20 40
米 METRES

規劃署
PLANNING
DEPARTMENT



參考編號
REFERENCE No.
A/NE-KLH/580

圖 PLAN
A-2



圖例 LEGEND

 申請地點 (界線只作識別用)
APPLICATION SITE
(BOUNDARY FOR IDENTIFICATION
PURPOSE ONLY)

本摘要圖於2019年12月2日擬備，
所根據的資料為地政總署
於2019年9月9日拍得的航攝照片
編號E062693C
EXTRACT PLAN PREPARED ON 2.12.2019
BASED ON AERIAL PHOTO No. E062693C
TAKEN ON 8.8.2019 BY
LANDS DEPARTMENT

航攝照片 AERIAL PHOTO

擬議公用事業設施裝置 (組裝供電變壓器)
大埔九龍坑元嶺丈量約份第9約的政府土地
PROPOSED PUBLIC UTILITY INSTALLATION
(CABINET TRANSFORMER)
GOVERNMENT LAND IN D.D. 9,
YUEN LENG, KAU LUNG HANG, TAI PO

規劃署
PLANNING DEPARTMENT



參考編號
REFERENCE No.
A/NE-KLH/580

圖 PLAN
A-3

1



申請地點界線只作識別用
APPLICATION SITE BOUNDARY FOR IDENTIFICATION PURPOSE ONLY

實地照片 SITE PHOTO

本圖於2019年12月2日擬備，所根據的資料為攝於2019年11月22日的實地照片
PLAN PREPARED ON 2.12.2019 BASED ON SITE PHOTO TAKEN ON 22.11.2019

擬議公用事業設施裝置(組裝供電變壓器)
大埔九龍坑元嶺丈量約份第9約的政府土地
PROPOSED PUBLIC UTILITY INSTALLATION
(CABINET TRANSFORMER)
GOVERNMENT LAND IN D.D. 9,
YUEN LENG, KAU LUNG HANG, TAI PO

規劃署
PLANNING
DEPARTMENT



參考編號
REFERENCE No.
A/NE-KLH/580

圖 PLAN
A-4