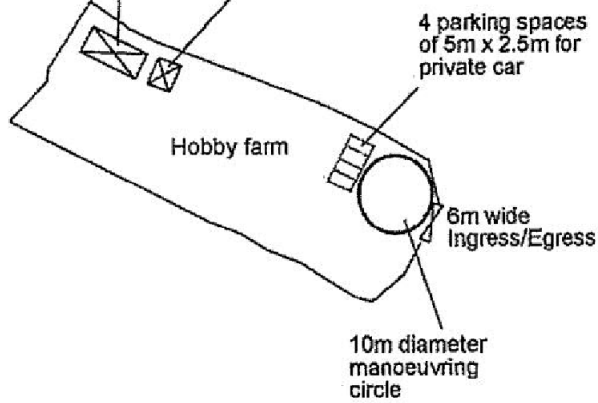




**Structure 1**  
 Converted containers for  
 storage of farm tools &  
 necessities & toilet  
 GFA: Not exceeding 80m<sup>2</sup>  
 Height: Not exceeding 3m  
 No. of storey: 1

**Structure 2**  
 Rain shelter  
 GFA: Not exceeding 40m<sup>2</sup>  
 Height: Not exceeding 3m  
 No. of storey: 1



Project 項目名稱: Proposed Temporary Place of Recreation, Sports or Culture (Hobby Farm) for a Period of 3 Years at Los 466 RP (Part) & 467 RP in D.D. 90, Lin Ma Hang Road, N.T.	Drawing Title 圖目: Proposed Layout Plan	Remarks 備註:
	Drawing No. 圖號: Figure 2	

參考編號 REFERENCE No. A/NE-MKT/11	繪圖 DRAWING A-1
-----------------------------------	----------------

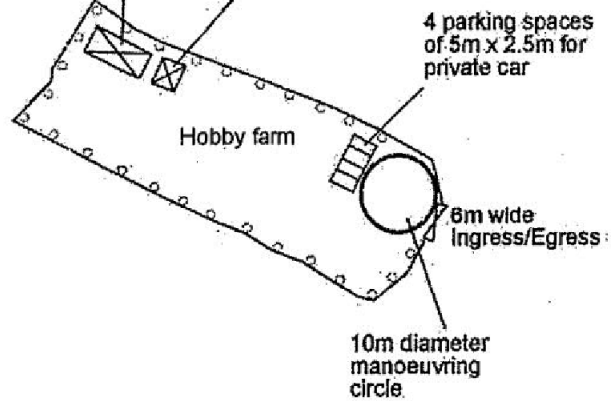
(來源： 附件 I )  
 ( Source : Appendix I )



Tree	Approximate Height	Spacing
○ Proposed <i>Bauhinia blakeana</i>	About 2.75m	4m

**Structure 1**  
 Converted containers for storage of farm tools & necessities & toilet  
 GFA: Not exceeding 80m<sup>2</sup>  
 Height: Not exceeding 3m  
 No. of storey: 1

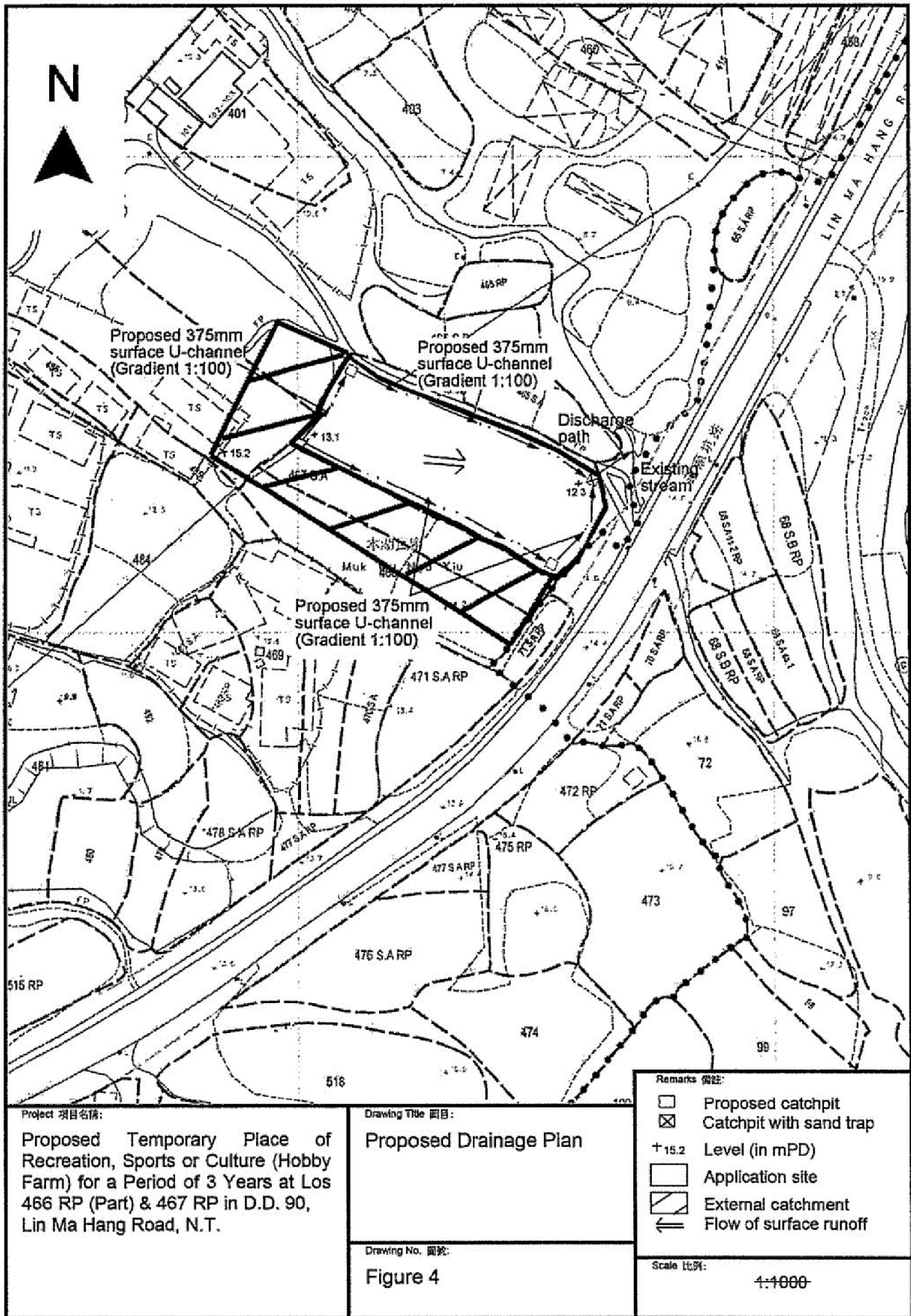
**Structure 2**  
 Rain shelter  
 GFA: Not exceeding 40m<sup>2</sup>  
 Height: Not exceeding 3m  
 No. of storey: 1



Project 項目名稱: Proposed Temporary Place of Recreation, Sports or Culture (Hobby Farm) for a Period of 3 Years at Los 466 RP (Part) & 467 RP in D.D. 90, Lin Ma Hang Road, N.T.	Drawing Title 圖目: Proposed Landscape Plan	Remarks 備註:  Scale 比例: 1:1000
	Drawing No. 圖號: Figure 3	

參考編號 REFERENCE No. A/NE-MKT/11	繪圖 DRAWING A-2
-----------------------------------	----------------

(來源： 附件 I)  
 (Source : Appendix I)



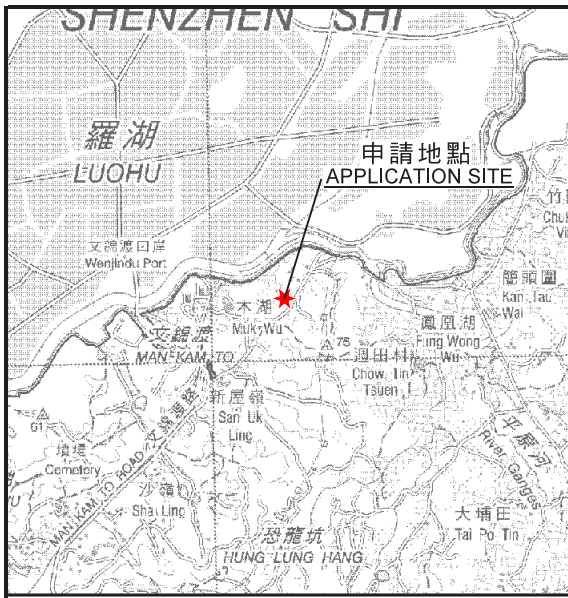
Project 項目名稱:  
 Proposed Temporary Place of Recreation, Sports or Culture (Hobby Farm) for a Period of 3 Years at Los 466 RP (Part) & 467 RP in D.D. 90, Lin Ma Hang Road, N.T.

Drawing Title 圖目:  
 Proposed Drainage Plan

Drawing No. 圖號:  
 Figure 4

- Remarks 備註:
- Proposed catchpit
  - Catchpit with sand trap
  - +15.2 Level (in mPD)
  - Application site
  - External catchment
  - Flow of surface runoff

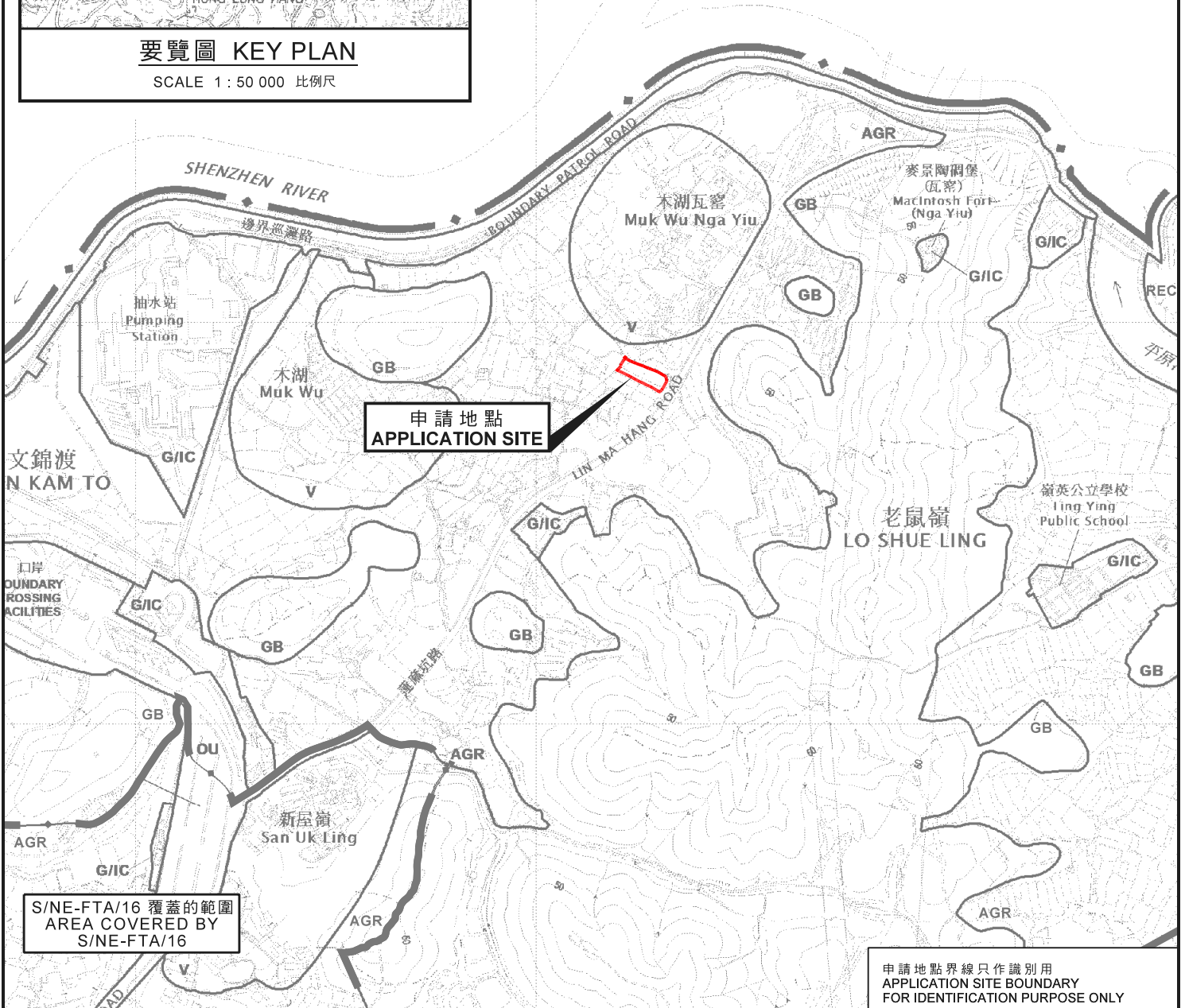
Scale 比例:  
 1:1000



**要覽圖 KEY PLAN**

SCALE 1 : 50 000 比例尺

深圳市  
SHENZHEN SHI



申請地點  
APPLICATION SITE

S/NE-FTA/16 覆蓋的範圍  
AREA COVERED BY  
S/NE-FTA/16

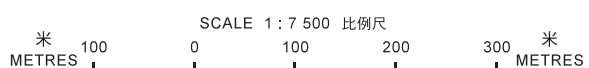
申請地點界線只作識別用  
APPLICATION SITE BOUNDARY  
FOR IDENTIFICATION PURPOSE ONLY

**位置圖 LOCATION PLAN**

本摘要圖於2020年4月2日擬備，  
所根據的資料為於2017年12月5日核准的  
分區計劃大綱圖編號S/NE-FTA/16及  
2017年12月5日核准的分區計劃大綱圖  
編號S/NE-MKT/4

EXTRACT PLAN PREPARED ON 2.4.2020  
BASED ON OUTLINE ZONING PLAN  
No. S/NE-FTA/16 APPROVED ON 5.12.2017 &  
OUTLINE ZONING PLAN  
No. S/NE-MKT/4 APPROVED ON 5.12.2017

擬議臨時康體文娛場所 (休閒農場) (為期3年)  
新界文錦渡連麻坑路丈量約份第90約  
地段第466號餘段(部分)及第467號餘段  
PROPOSED TEMPORARY PLACE OF RECREATION,  
SPORTS OR CULTURE (HOBBY FARM) FOR A PERIOD OF 3 YEARS  
LOTS 466 RP (PART) AND 467 RP IN D.D. 90,  
LIN MA HANG ROAD, MAN KAM TO, N.T.



規劃署  
PLANNING  
DEPARTMENT



參考編號  
REFERENCE No.  
A/NE-MKT/11

圖 PLAN  
A-1





圖例 LEGEND

-  申請地點 (界線只作識別用)
- APPLICATION SITE (BOUNDARY FOR IDENTIFICATION PURPOSE ONLY)

本摘要圖於2020年4月2日擬備，  
 所根據的資料為地政總署  
 於2018年10月3日拍得的航攝照片  
 編號E046132C\_R  
 EXTRACT PLAN PREPARED ON 2.4.2020  
 BASED ON AERIAL PHOTO  
 No. E046132C\_R TAKEN ON 3.10.2018 BY  
 LANDS DEPARTMENT

航攝照片 AERIAL PHOTO

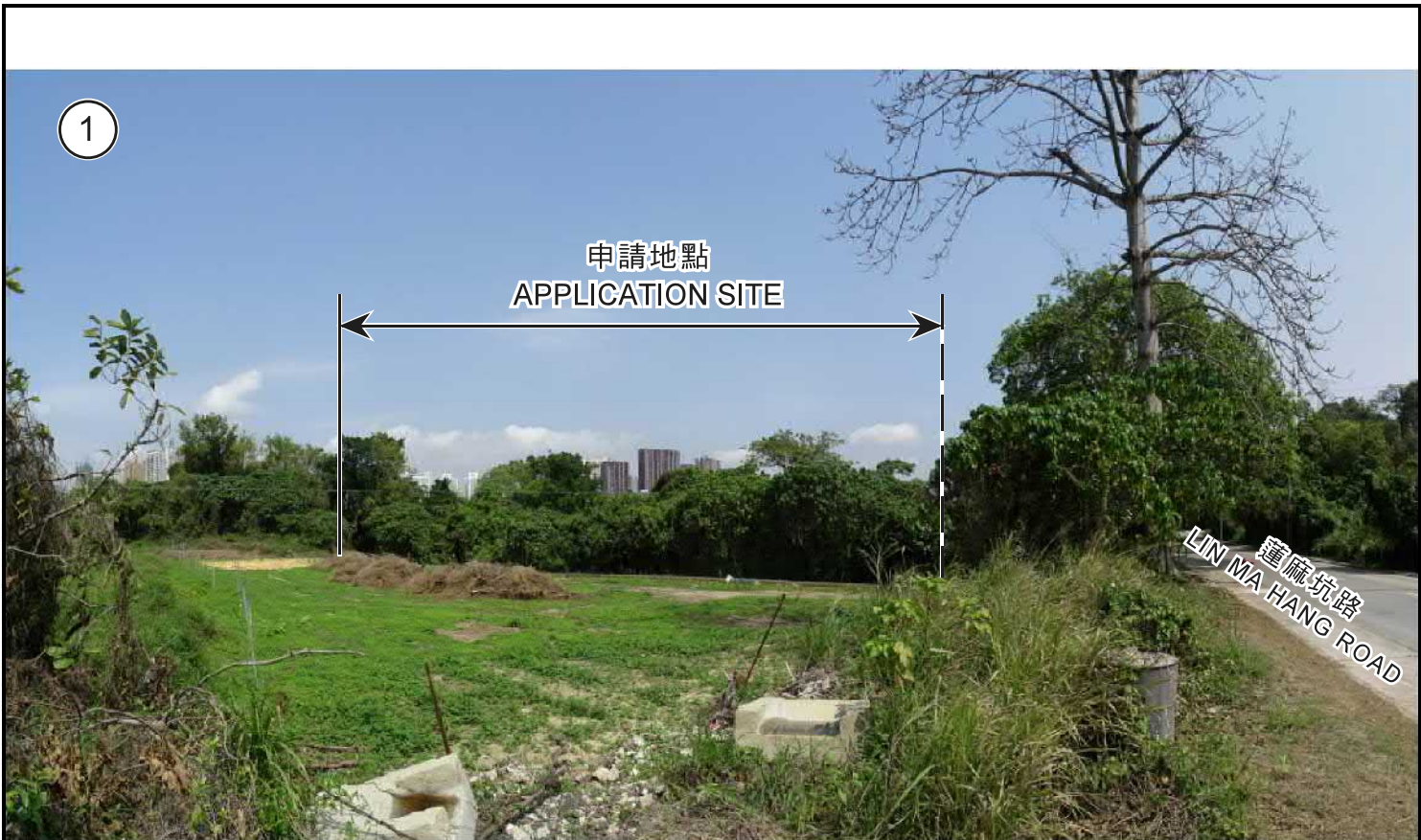
擬議臨時康體文娛場所 (休閒農場) (為期3年)  
 新界文錦渡蓮麻坑路丈量約份第90約  
 地段第466號餘段(部分)及第467號餘段  
 PROPOSED TEMPORARY PLACE OF RECREATION,  
 SPORTS OR CULTURE (HOBBY FARM) FOR A PERIOD OF 3 YEARS  
 LOTS 466 RP (PART) AND 467 RP IN D.D. 90,  
 LIN MA HANG ROAD, MAN KAM TO, N.T.

規劃署  
 PLANNING  
 DEPARTMENT



參考編號  
 REFERENCE No.  
 A/NE-MKT/11

圖 PLAN  
 A-3



實地照片 SITE PHOTOS

本圖於2020年4月2日擬備，所根據的資料為攝於2020年3月23日的實地照片  
PLAN PREPARED ON 2.4.2020 BASED ON SITE PHOTOS TAKEN ON 23.3.2020

擬議臨時康體文娛場所（休閒農場）（為期3年）  
新界文錦渡蓮麻坑路丈量約份第90約地段第466號餘段（部分）及第467號餘段  
PROPOSED TEMPORARY PLACE OF RECREATION, SPORTS OR CULTURE (HOBBY FARM) FOR A PERIOD OF 3 YEARS  
LOTS 466 RP (PART) AND 467 RP IN D.D. 90, LIN MA HANG ROAD, MAN KAM TO, N.T.

規劃署  
PLANNING  
DEPARTMENT



參考編號  
REFERENCE No.  
A/NE-MKT/11

圖 PLAN  
A-4