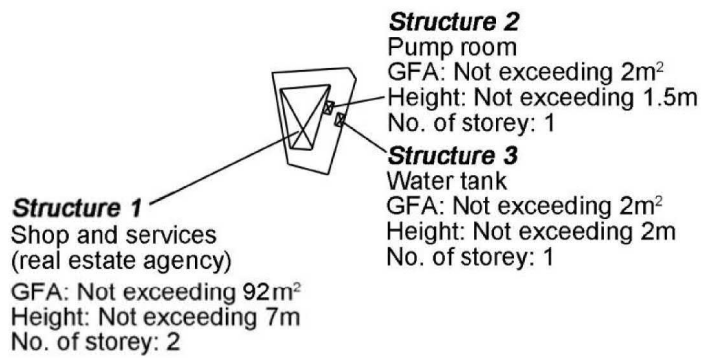


<p>Project 項目名稱: Proposed Temporary Shop and Services (Real Estate Agency) for a Period of 3 Years at Lot 977 RP (Part) in D.D. 125, Sik Kong Tsuen, Ha Tsuen, Yuen Long, N.T.</p>	<p>Drawing Title 圖名: Location Plan</p> <p>Drawing No. 圖號: Figure 2</p>	<p>Remarks 備註: ●●● Footpath to application site leading from San Sik Road</p> <p>Scale 比例: — 1:7500 —</p>
--	--	---

(摘錄自申請人於 6.3.2019 呈交的申請書)
(Extract from Applicant's Submission of 6.3.2019)

<p>參考編號 REFERENCE No. A/HSK/143</p>	<p>繪圖 DRAWING A-1</p>
---	---------------------------



Project 項目名稱: Proposed Temporary Shop and Services (Real Estate Agency) for a Period of 3 Years at Lot 977 RP (Part) in D.D. 125, Sik Kong Tsuen, Ha Tsuen, Yuen Long, N.T.	Drawing Title 圖目: Proposed Layout Plan	Remarks 備註:
	Drawing No. 圖號: Figure 3	Scale 比例: — 1:1000 —

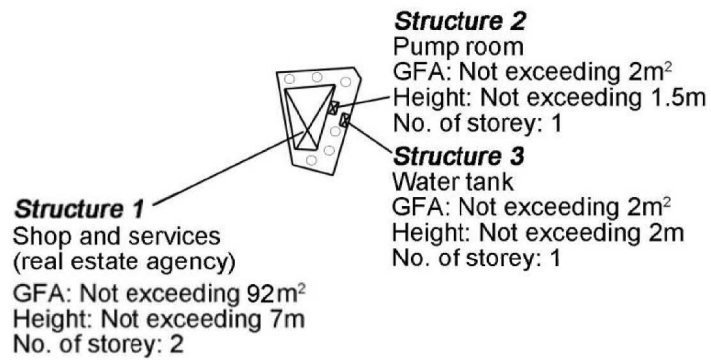
(摘錄自申請人於 6.3.2019 提交的申請書)
(Extract from Applicant's
Submission of 6.3.2019)

參考編號
REFERENCE No.
A/HSK/143

繪圖 DRAWING
A-2



Tree	Approximate Height	Spacing	Quantity
○ Existing Trees to be preserved	3m to 8m	4m	6

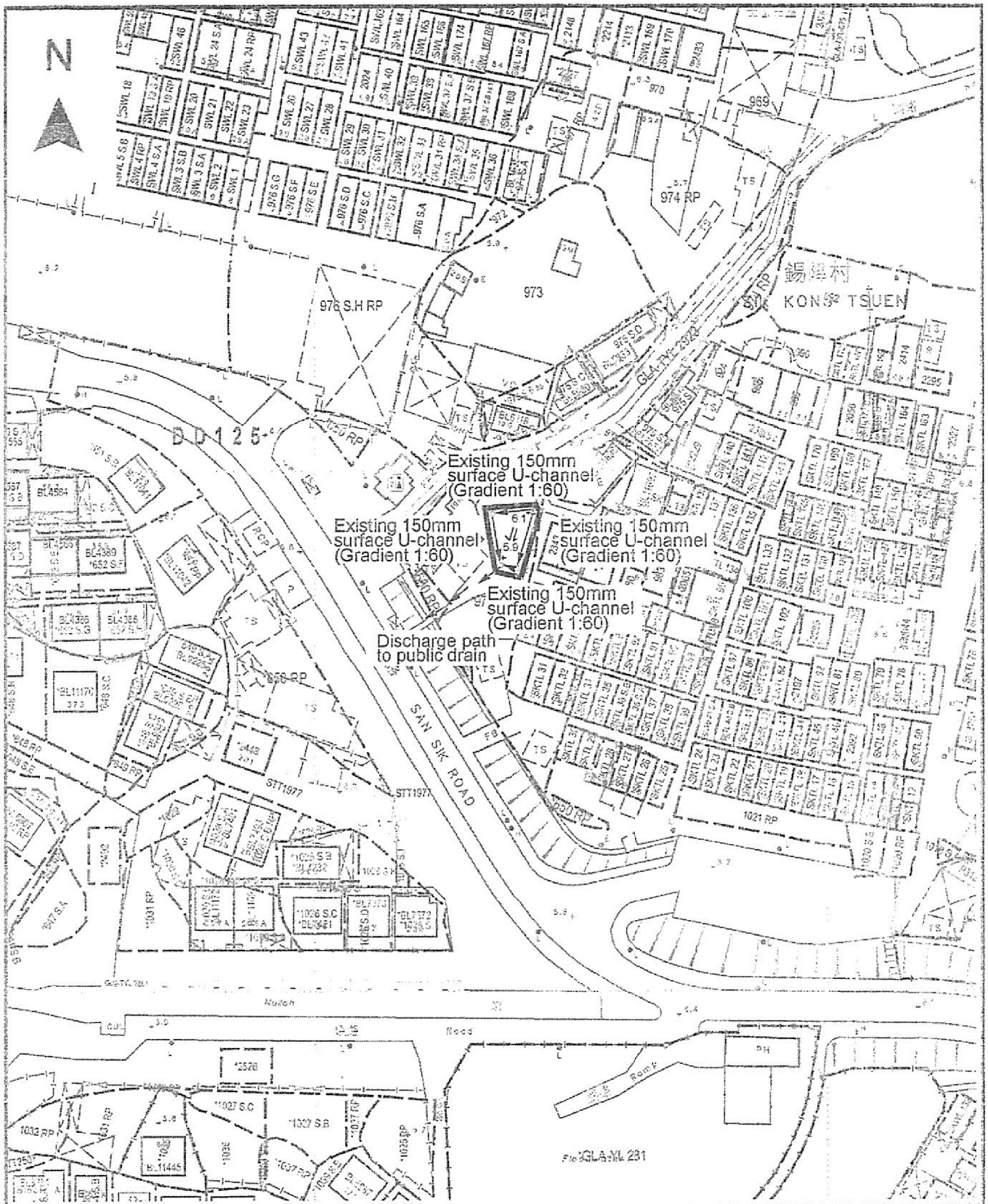


Project 項目名稱: Proposed Temporary Shop and Services (Real Estate Agency) for a Period of 3 Years at Lot 977 RP (Part) in D.D. 125, Sik Kong Tsuen, Ha Tsuen, Yuen Long, N.T.	Drawing Title 圖目: Proposed Tree Preservation Plan	Remarks 備註:
	Drawing No. 圖號: Figure 4	

(摘錄自申請人於 6.3.2019 提交的申請書)
(Extract from Applicant's Submission of 6.3.2019)

參考編號
REFERENCE No.
A/HSK/143

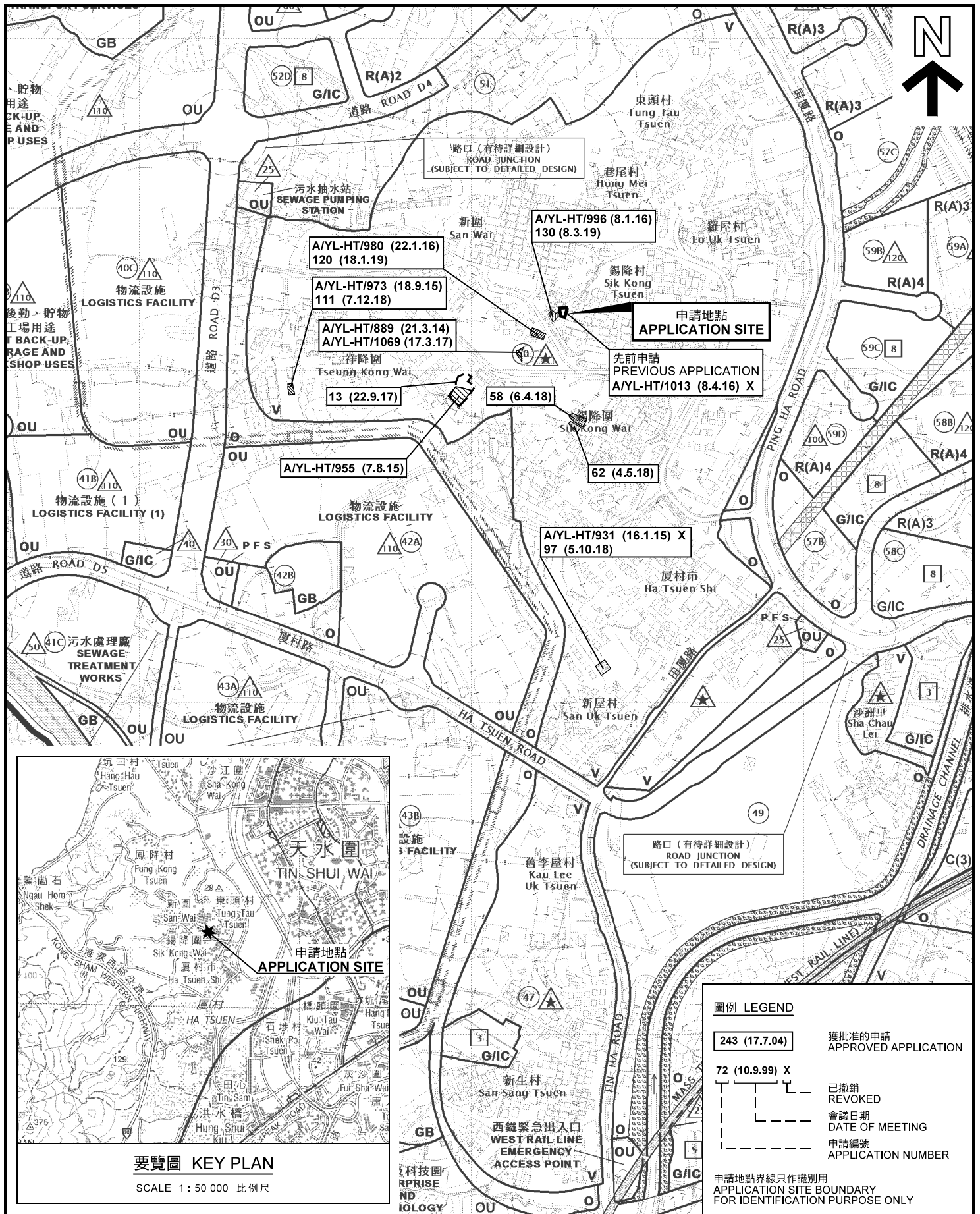
繪圖 DRAWING
A-3



<p>Project 項目名稱: Proposed Temporary Shop and Services (Real Estate Agency) for a Period of 3 Years at Lot 977 RP (Part) in D.D. 125, Sik Kong Tsuen, Ha Tsuen, Yuen Long, N.T.</p>	<p>Drawing Title 圖目: As-built Drainage Plan</p> <p>Drawing No. 圖號: Figure 5</p>	<p>Remarks 備註: +6.1 Level (in mPD) ← Flow of surface runoff □ catchpit</p> <p>Scale 比例: — 1:500 —</p>
--	---	---

(摘錄自申請人於 6.3.2019 呈交的申請書)
(Extract from Applicant's Submission of 6.3.2019)

<p>參考編號 REFERENCE No. A/HSK/143</p>	<p>繪圖 DRAWING A-4</p>
--	----------------------------------



圖例 LEGEND

243 (17.7.04)	獲批准的申請 APPROVED APPLICATION
72 (10.9.99) X	已撤銷 REVOKED
---	會議日期 DATE OF MEETING
---	申請編號 APPLICATION NUMBER

申請地點界線只作識別用
APPLICATION SITE BOUNDARY
FOR IDENTIFICATION PURPOSE ONLY

本摘要圖於2019年4月8日擬備，
所根據的資料為於2018年10月16日
核准的分區計劃大綱圖編號 S/HSK/2
EXTRACT PLAN PREPARED ON 8.4.2019
BASED ON OUTLINE ZONING PLAN No.
S/HSK/2 APPROVED ON 16.10.2018

**擬議臨時商店及服務行業（地產代理）（為期3年）
元朗厦村錫降村丈量約份第125約地段第977號餘段（部分）
PROPOSED TEMPORARY SHOP AND SERVICES
(REAL ESTATE AGENCY) FOR A PERIOD OF 3 YEARS
LOT 977 RP (PART) IN D.D. 125,
SIK KONG TSUEN, HA TSUEN, YUEN LONG**

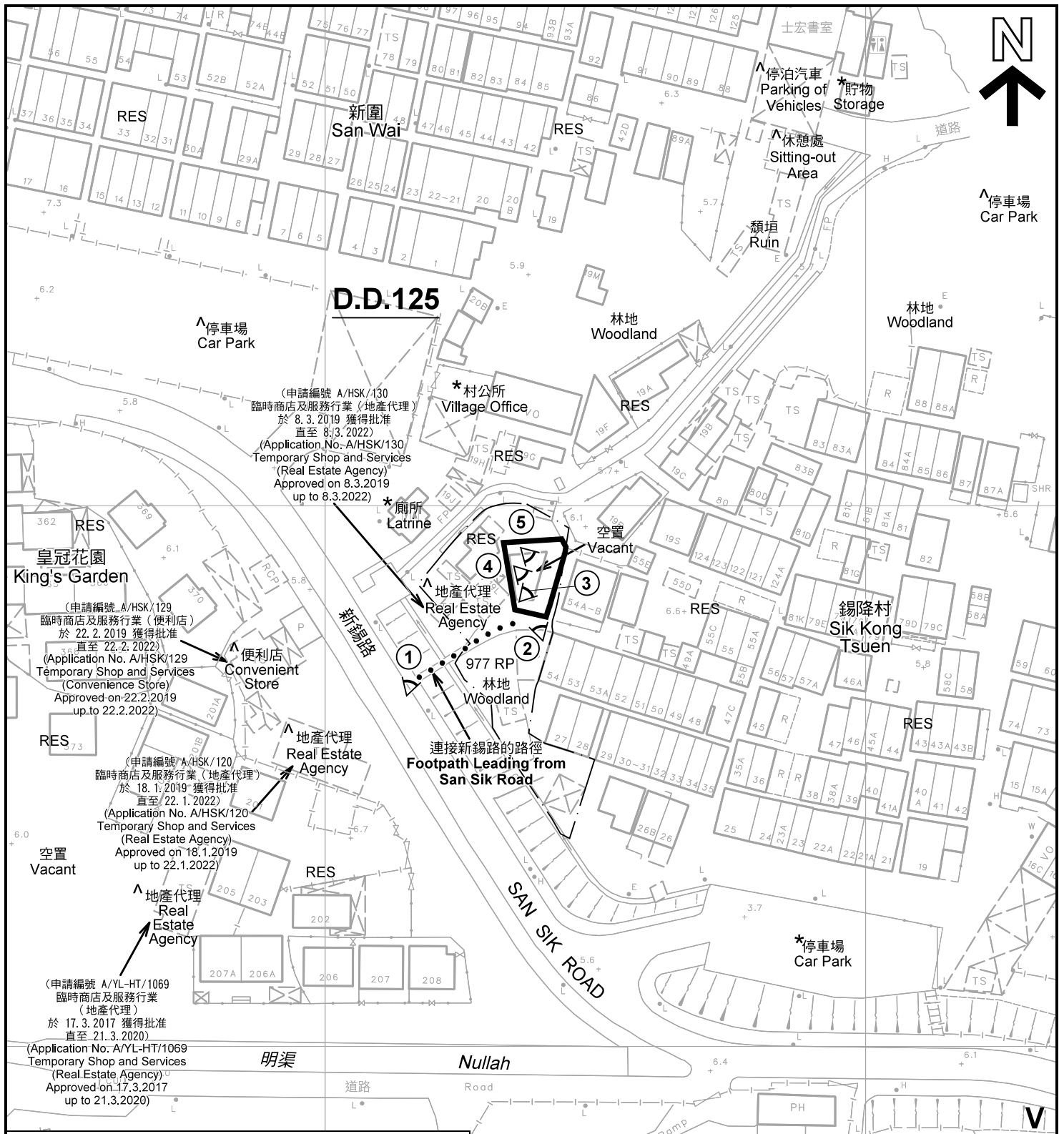
SCALE 1 : 7 500 比例尺

米 100 0 100 200 300 米
METRES METRES

**規劃署
PLANNING
DEPARTMENT**

參考編號
REFERENCE No.
A/HSK/143

**圖 PLAN
A-1**



註釋 Notes:

- (1) 2019年3月15日勘測的土地用途
Land uses shown on this plan are in accordance with the land use survey conducted by the Planning Department on 15.3.2019
- (2) * 土地用途跟1992年3月勘測的土地用途一致
Indicates that the use is the same as that revealed by the land use survey conducted by the Planning Department in Mar 1992
- (3) ^ 土地用途跟1992年3月勘測的土地用途有別
Indicates that the use is different from that revealed by the land use survey conducted by the Planning Department in Mar 1992

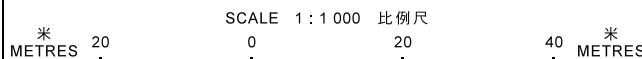
圖例 LEGEND

- 申請地點(界線只作識別用)
APPLICATION SITE (BOUNDARY FOR IDENTIFICATION PURPOSE ONLY)
- 鄉村式發展
VILLAGE TYPE DEVELOPMENT
- 住用構築物
RESIDENTIAL STRUCTURES
- 實地照片的觀景點
VIEWING POINT OF SITE PHOTO

平面圖 SITE PLAN

擬議臨時商店及服務行業(地產代理)(為期3年)
PROPOSED TEMPORARY SHOP AND SERVICES
(REAL ESTATE AGENCY) FOR A PERIOD OF 3 YEARS
LOT 977 RP (PART) IN D.D.125,
SIK KONG TSUEN, HA TSUEN, YUEN LONG

本摘要圖於2019年4月17日擬備, 所根據的資料為測量圖編號 6-NW-7A
EXTRACT PLAN PREPARED ON 17.4.2019
BASED ON SURVEY SHEET No. 6-NW-7A

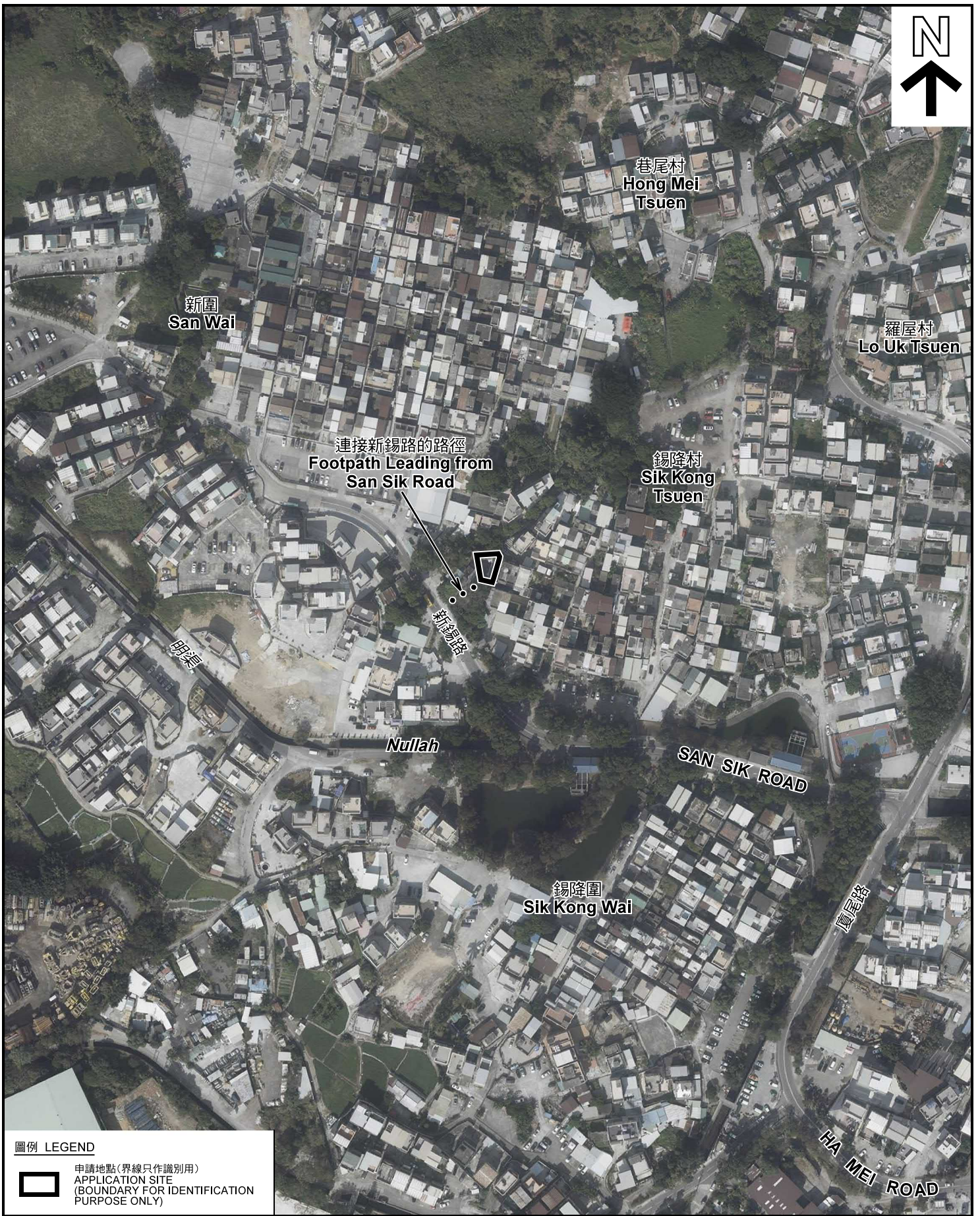


規劃署
PLANNING
DEPARTMENT



參考編號
REFERENCE No.
A/HSK/143

圖 PLAN
A-2



圖例 LEGEND



申請地點(界線只作識別用)
APPLICATION SITE
(BOUNDARY FOR IDENTIFICATION
PURPOSE ONLY)

本摘要圖於2019年4月17日擬備，所根據的資料為地政總署於2018年1月3日拍得的航攝照片編號 E033210C
EXTRACT PLAN PREPARED ON 17.4.2019
BASED ON AERIAL PHOTO No. E033210C
TAKEN ON 3.1.2018
BY LANDS DEPARTMENT

航攝照片 AERIAL PHOTO

擬議臨時商店及服務行業(地產代理)(為期3年)
元朗廈村錫降村丈量約份第125約地段第977號餘段(部分)
PROPOSED TEMPORARY SHOP AND SERVICES
(REAL ESTATE AGENCY) FOR A PERIOD OF 3 YEARS
LOT 977 RP (PART) IN D.D.125,
SIK KONG TSUEN, HA TSUEN, YUEN LONG

規劃署
PLANNING
DEPARTMENT



參考編號
REFERENCE No.
A/HSK/143

圖 PLAN
A-3



本圖於2019年4月17日擬備，所根據的資料為攝於2019年3月15日的實地照片
 PLAN PREPARED ON 17.4.2019
 BASED ON SITE PHOTOS TAKEN ON 15.3.2019

實地照片 SITE PHOTOS

擬議臨時商店及服務行業（地產代理）（為期3年）
 元朗廈村錫降村丈量約份第125約地段第977號餘段（部分）
 PROPOSED TEMPORARY SHOP AND SERVICES
 (REAL ESTATE AGENCY) FOR A PERIOD OF 3 YEARS
 LOT 977 RP (PART) IN D.D.125,
 SIK KONG TSUEN, HA TSUEN, YUEN LONG

規劃署
 PLANNING
 DEPARTMENT



參考編號
 REFERENCE No.
 A/HSK/143

圖 PLAN
 A-4a



申請地點 (地下)
APPLICATION SITE (G/F)



申請地點 (地下)
APPLICATION SITE (G/F)



申請地點 (一樓)
APPLICATION SITE (1/F)

本圖於2019年4月17日擬備，所根據的資料為攝於2019年3月15日的實地照片
PLAN PREPARED ON 17.4.2019
BASED ON SITE PHOTOS TAKEN ON 15.3.2019

實地照片 SITE PHOTOS

擬議臨時商店及服務行業（地產代理）（為期3年）
元朗廈村錫降村丈量約份第125約地段第977號餘段（部分）
PROPOSED TEMPORARY SHOP AND SERVICES
(REAL ESTATE AGENCY) FOR A PERIOD OF 3 YEARS
LOT 977 RP (PART) IN D.D.125,
SIK KONG TSUEN, HA TSUEN, YUEN LONG

規劃署
**PLANNING
DEPARTMENT**



參考編號
REFERENCE No.
A/HSK/143

圖 PLAN
A-4b