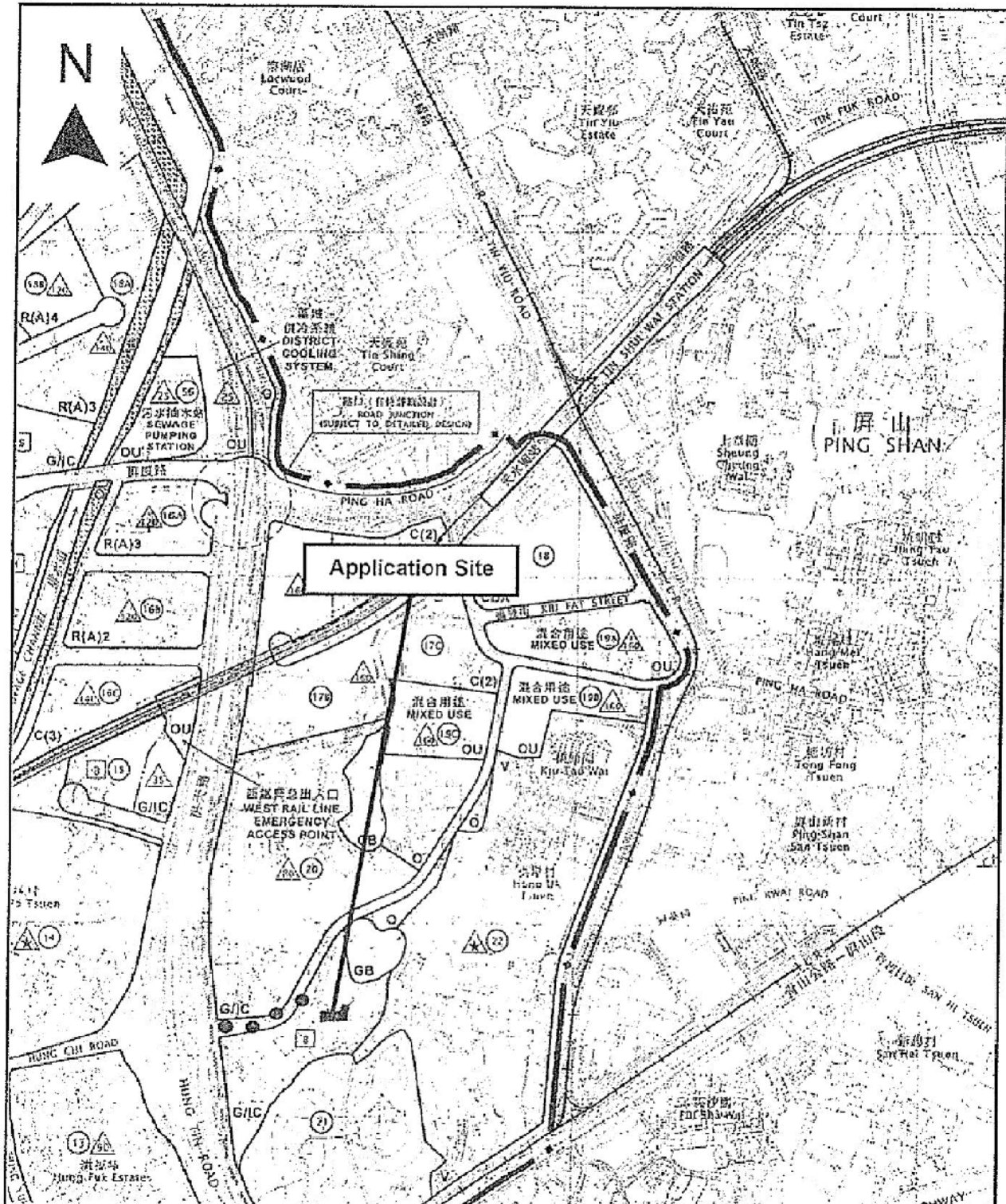


|  |  |                             |
|--|--|-----------------------------|
| <p>Project 項目名稱:<br/>Proposed Temporary Warehouse for Storage of Vehicles and Vehicle Parts for a Period of 3 Years at Lots 208 (Part), 209 &amp; 210 (Part) in D.D. 127 &amp; Adjoining Government Land, Ping Shan, Yuen Long, N.T.</p> | <p>Drawing Title 圖目:<br/>Site Plan</p> | <p>Remarks 備註:</p>          |
|  | <p>Drawing No. 圖號:<br/>Figure 1</p>    | <p>Scale 比例:<br/>1:1000</p> |

|  |                           |
|--|---------------------------|
| <p>參考編號 REFERENCE No.<br/>A/HSK/88</p> | <p>繪圖 DRAWING<br/>A-1</p> |
|--|---------------------------|

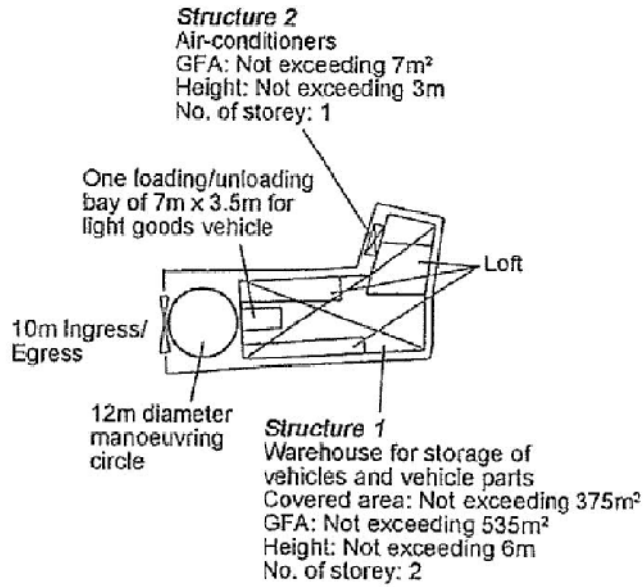
(摘錄自申請人於22.6.2018呈交的申請書)  
(Extract from Applicant's Submission Dated 22.6.2018)



|  |  |   |
|--|--|---|
| <p>Project 項目: Proposed Temporary Warehouse for Storage of Vehicles and Vehicle Parts for a Period of 3 Years at Lots 208 (Part), 209 &amp; 210 (Part) in D.D. 127 &amp; Adjoining Government Land, Ping Shan, Yuen Long, N.T.</p> | <p>Drawing Title 圖名: Vehicular Access Plan</p> | <p>Remarks 備註:  Vehicular access leading from Hung Chi Road</p> |
|  | <p>Drawing No. 圖號: Figure 2</p>                | <p>Scale 比例尺: </p>  |

|                                    |                       |
|------------------------------------|-----------------------|
| <p>參考編號 REFERENCE No. A/HSK/88</p> | <p>繪圖 DRAWING A-2</p> |
|------------------------------------|-----------------------|

(摘錄自申請人於22.6.2018呈交的申請書)  
 (Extract from Applicant's Submission Dated 22.6.2018)



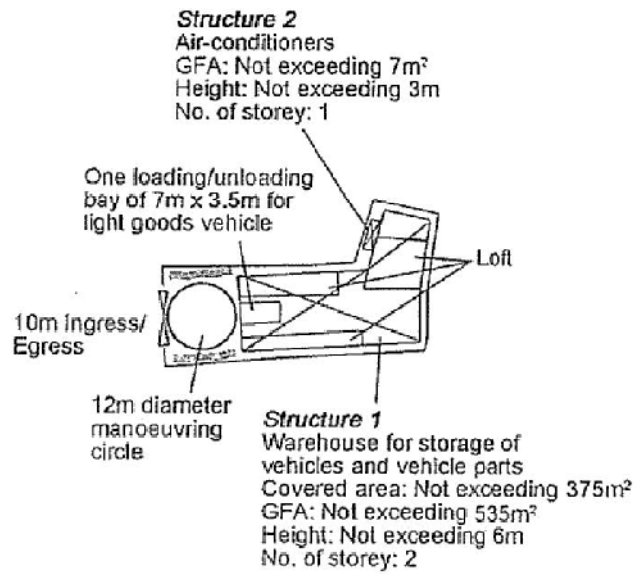
|  |   |                                |
|--|---|--------------------------------|
| Project 項目名稱:<br>Proposed Temporary Warehouse for Storage of Vehicles and Vehicle Parts for a Period of 3 Years at Lots 208 (Part), 209 & 210 (Part) in D.D. 127 & Adjoining Government Land, Ping Shan, Yuen Long, N.T. | Drawing Title 圖名:<br>Proposed Layout Plan | Remarks 備註:                    |
|  | Drawing No. 圖號:<br>Figure 3               | Scale 比例:<br><del>1:1000</del> |

|                                |                   |
|--------------------------------|-------------------|
| 參考編號 REFERENCE No.<br>A/HSK/88 | 繪圖 DRAWING<br>A-3 |
|--------------------------------|-------------------|

(摘錄自申請人於22. 6. 2018呈交的申請書)  
(Extract from Applicant's  
Submission Dated 22.6.2018)



| Proposed Shrub                         | Approximate Height | Spacing |
|--|--------------------|---------|
| Proposed <i>Hibiscus rosa-sinensis</i> | 600mm              | 450mm   |



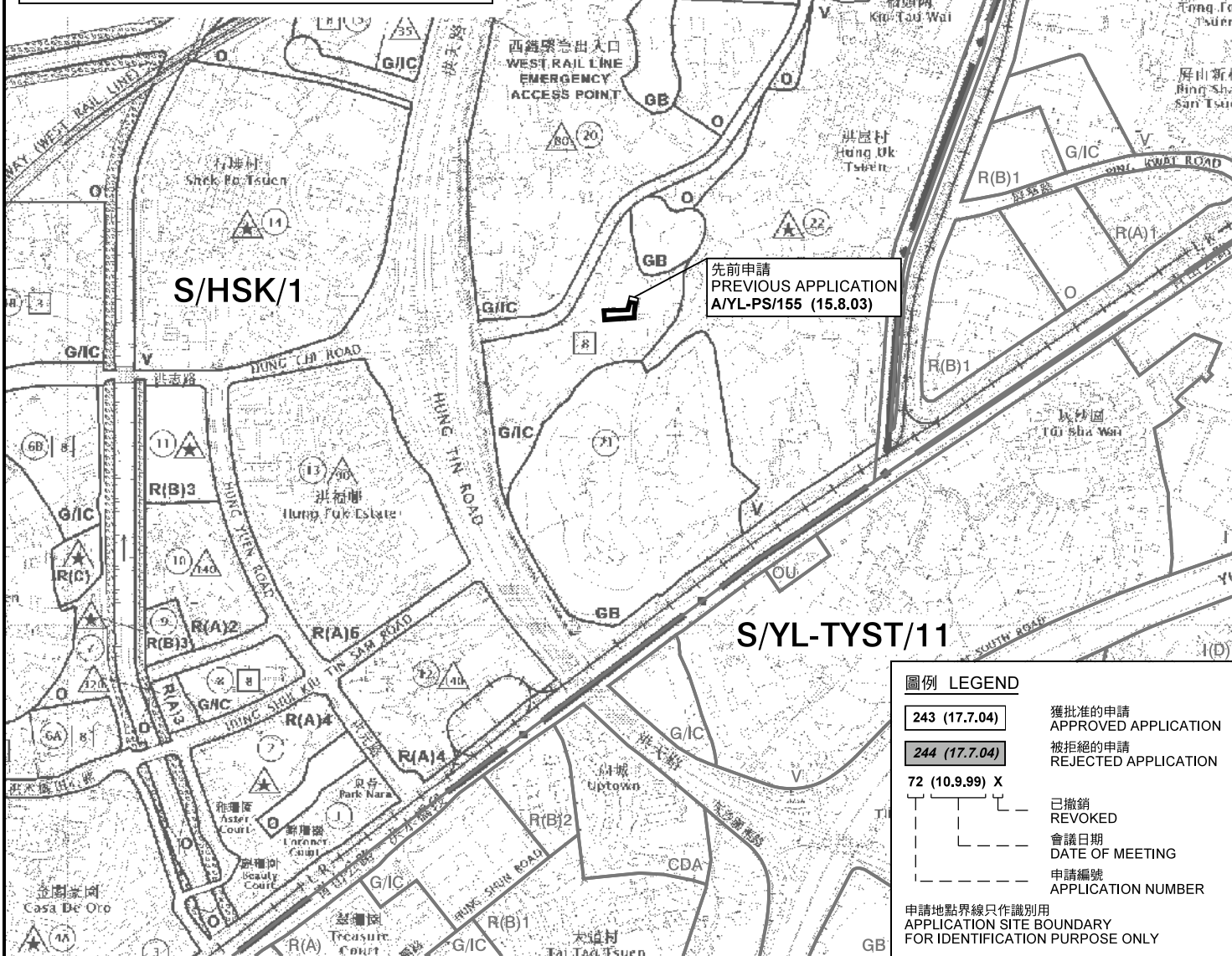
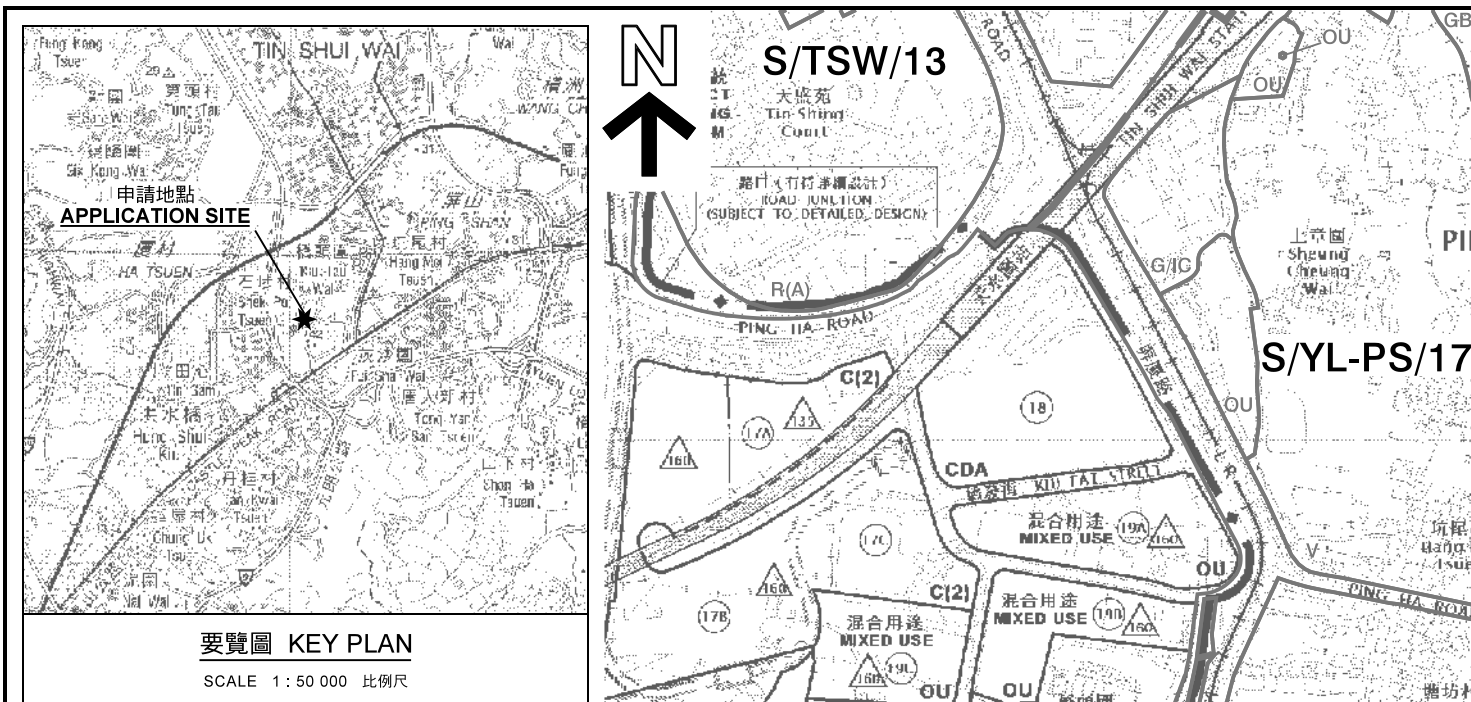
|  |  |                     |
|--|--|---------------------|
| Project 項目:<br>Proposed Temporary Warehouse for Storage of Vehicles and Vehicle Parts for a Period of 3 Years at Lots 208 (Part), 209 & 210 (Part) in D.D. 127 & Adjoining Government Land, Ping Shan, Yuen Long, N.T. | Drawing Title 圖名:<br>Proposed Landscape Plan | Remarks 備註:         |
|  | Drawing No. 圖號:<br>Figure 4                  | Scale 比例:<br>1:1000 |

|                                |                   |
|--------------------------------|-------------------|
| 參考編號 REFERENCE No.<br>A/HSK/88 | 繪圖 DRAWING<br>A-4 |
|--------------------------------|-------------------|

(摘錄自申請人於22. 6. 2018呈交的申請書)  
(Extract from Applicant's Submission Dated 22.6.2018)







**圖例 LEGEND**

|                |                                |
|----------------|--------------------------------|
| 243 (17.7.04)  | 獲批准的申請<br>APPROVED APPLICATION |
| 244 (17.7.04)  | 被拒絕的申請<br>REJECTED APPLICATION |
| 72 (10.9.99) X | 已撤銷<br>REVOKED                 |
| - - -          | 會議日期<br>DATE OF MEETING        |
| - - -          | 申請編號<br>APPLICATION NUMBER     |

申請地點界線只作識別用  
APPLICATION SITE BOUNDARY  
FOR IDENTIFICATION PURPOSE ONLY

本摘要圖於2018年7月25日擬備，所根據的資料為於2017年5月26日展示的分區計劃大綱圖編號 S/HSK/1 EXTRACT PLAN PREPARED ON 25.7.2018 BASED ON OUTLINE ZONING PLAN No. S/HSK/1 EXHIBITED ON 26.5.2017

**位置圖 LOCATION PLAN**  
臨時貨倉存放汽車及汽車零件(為期3年)  
新界元朗屏山丈量約份第127約地段第208號(部分)、第209號及第210號(部分)和毗連政府土地  
TEMPORARY WAREHOUSE FOR STORAGE OF VEHICLES AND VEHICLE PARTS FOR A PERIOD OF 3 YEARS  
LOTS 208 (PART), 209 AND 210 (PART) IN D.D. 127 AND ADJOINING GOVERNMENT LAND, PING SHAN, YUEN LONG, NEW TERRITORIES

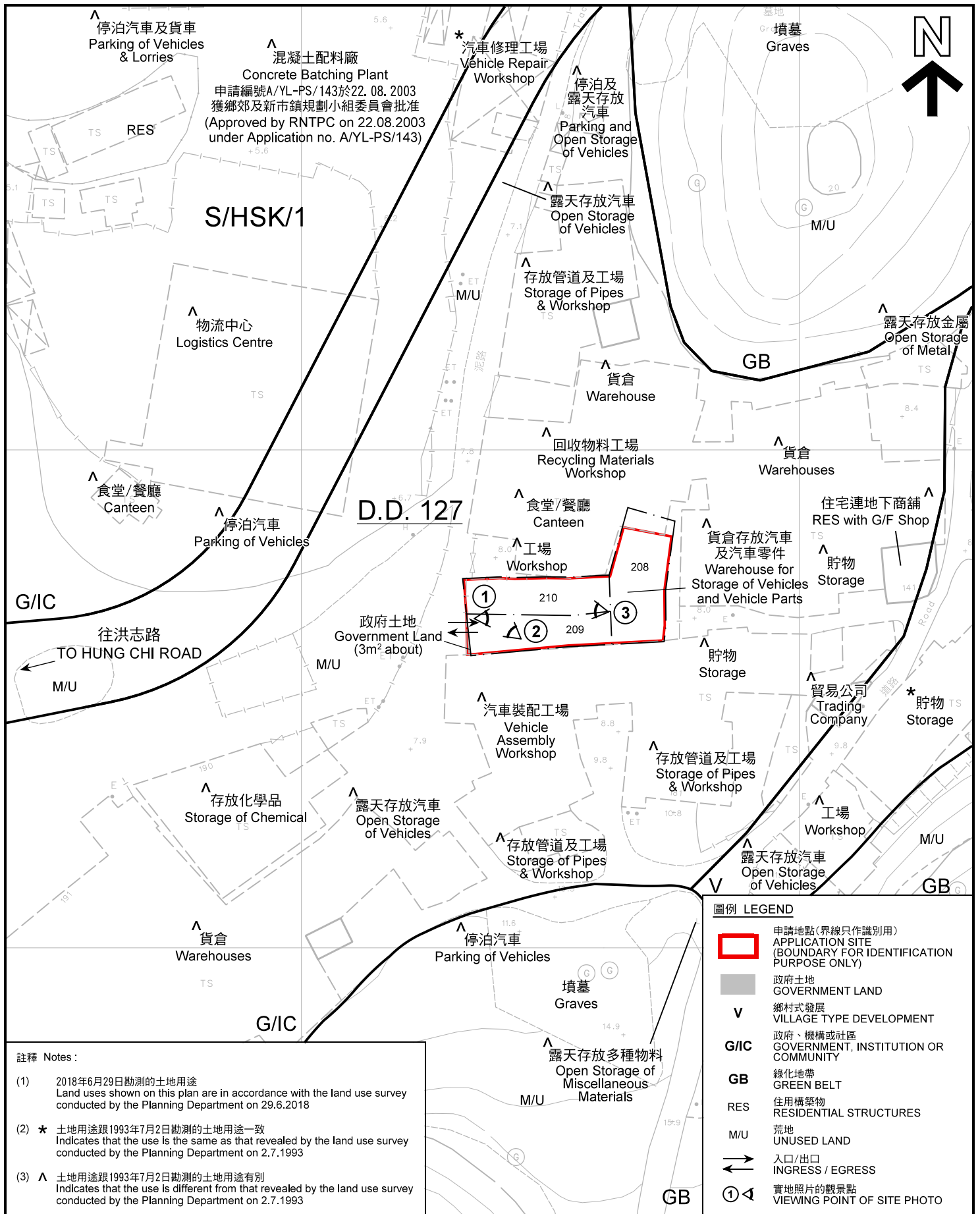
SCALE 1 : 7 500 比例尺

米 100 0 100 200 300 米  
METRES

**規劃署**  
**PLANNING DEPARTMENT**

參考編號  
REFERENCE No.  
**A/HSK/88**

**圖 PLAN**  
**A-1**



註釋 Notes:

- (1) 2018年6月29日勘測的土地用途  
Land uses shown on this plan are in accordance with the land use survey conducted by the Planning Department on 29.6.2018
- (2) \* 土地用途跟1993年7月2日勘測的土地用途一致  
Indicates that the use is the same as that revealed by the land use survey conducted by the Planning Department on 2.7.1993
- (3) ^ 土地用途跟1993年7月2日勘測的土地用途有別  
Indicates that the use is different from that revealed by the land use survey conducted by the Planning Department on 2.7.1993

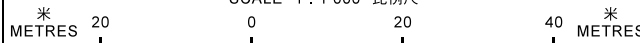
圖例 LEGEND

- 申請地點(界線只作識別用)  
APPLICATION SITE  
(BOUNDARY FOR IDENTIFICATION PURPOSE ONLY)
- 政府土地  
GOVERNMENT LAND
- 鄉村式發展  
VILLAGE TYPE DEVELOPMENT
- 政府、機構或社區  
GOVERNMENT, INSTITUTION OR COMMUNITY
- 綠化地帶  
GREEN BELT
- 住用構築物  
RESIDENTIAL STRUCTURES
- 荒地  
UNUSED LAND
- 入口/出口  
INGRESS / EGRESS
- 實地照片的觀景點  
VIEWING POINT OF SITE PHOTO

平面圖 SITE PLAN

臨時貨倉存放汽車及汽車零件(為期3年)  
新界元朗屏山丈量約份第127約地段第208號(部分)、  
第209號及第210號(部分)和毗連政府土地  
TEMPORARY WAREHOUSE FOR STORAGE OF VEHICLES  
AND VEHICLE PARTS FOR A PERIOD OF 3 YEARS  
LOTS 208 (PART), 209 AND 210 (PART) IN D.D. 127 AND ADJOINING  
GOVERNMENT LAND, PING SHAN, YUEN LONG, NEW TERRITORIES

SCALE 1 : 1 000 比例尺



本摘要圖於2018年8月1日擬備，所根據的資料為測量圖編號 6-NW-13A  
EXTRACT PLAN PREPARED ON 1.8.2018  
BASED ON SURVEY SHEET No. 6-NW-13A

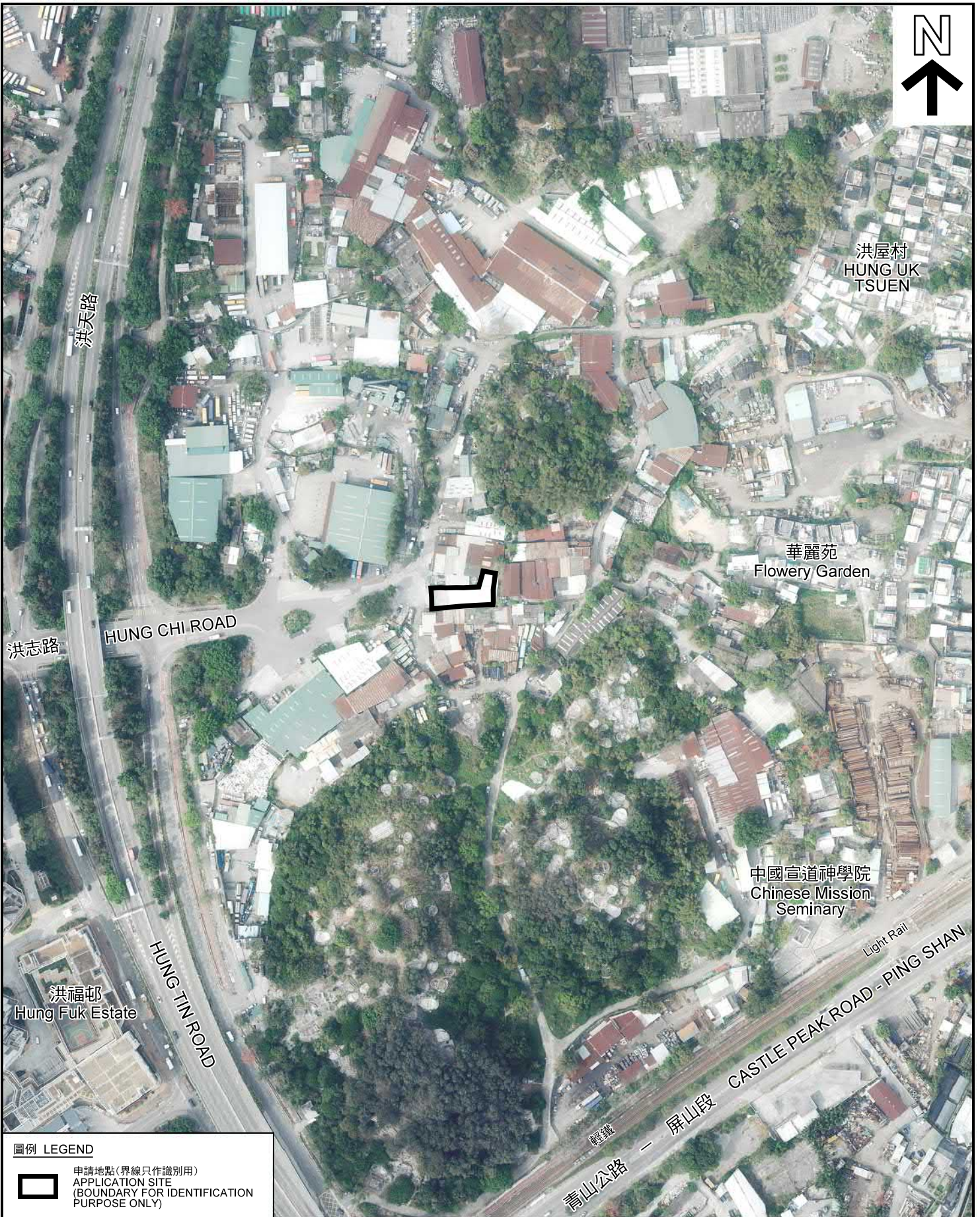
規劃署  
PLANNING  
DEPARTMENT



參考編號  
REFERENCE No.  
A/HSK/88

圖 PLAN  
A-2





圖例 LEGEND



申請地點(界線只作識別用)  
APPLICATION SITE  
(BOUNDARY FOR IDENTIFICATION  
PURPOSE ONLY)

本摘要圖於2018年7月19日擬備，所根據的資料為地政總署於2018年3月13日拍得的航攝照片編號 E035271C  
EXTRACT PLAN PREPARED ON 19.7.2018  
BASED ON AERIAL PHOTO No.  
E035271C TAKEN ON 13.3.2018  
BY LANDS DEPARTMENT

航攝照片 AERIAL PHOTO

臨時貨倉存放汽車及汽車零件(為期3年)  
新界元朗屏山丈量約份第127約地段第208號(部分)、  
第209號及第210號(部分)和毗連政府土地  
TEMPORARY WAREHOUSE FOR STORAGE OF VEHICLES  
AND VEHICLE PARTS FOR A PERIOD OF 3 YEARS  
LOTS 208 (PART), 209 AND 210 (PART) IN D.D. 127 AND ADJOINING  
GOVERNMENT LAND, PING SHAN, YUEN LONG, NEW TERRITORIES

規劃署  
PLANNING  
DEPARTMENT



參考編號  
REFERENCE No.  
A/HSK/88

圖 PLAN  
A-3





1

申請地點  
APPLICATION SITE

攝於2018年7月9日的實地照片 SITE PHOTO TAKEN ON 9.7.2018



2

申請地點  
APPLICATION SITE

攝於2018年6月29日的實地照片 SITE PHOTO TAKEN ON 29.6.2018



3

申請地點  
APPLICATION SITE

攝於2018年6月29日的實地照片 SITE PHOTO TAKEN ON 29.6.2018

**實地照片 SITE PHOTO**

臨時貨倉存放汽車及汽車零件(為期3年)  
新界元朗屏山丈量約份第127約地段第208號(部分)、  
第209號及第210號(部分)和毗連政府土地  
TEMPORARY WAREHOUSE FOR STORAGE OF VEHICLES  
AND VEHICLE PARTS FOR A PERIOD OF 3 YEARS  
LOTS 208 (PART), 209 AND 210 (PART) IN D.D. 127 AND ADJOINING  
GOVERNMENT LAND, PING SHAN, YUEN LONG, NEW TERRITORIES

規 劃 署  
PLANNING  
DEPARTMENT



參考編號  
REFERENCE No.  
A/HSK/88

圖 PLAN  
A-4

本圖於2018年7月23日擬備，所根據的資料為攝於2018年6月29日及7月9日的實地照片  
PLAN PREPARED ON 23.7.2018  
BASED ON SITE PHOTOS  
TAKEN ON 29.6.2018 & 9.7.2018