

LOCATION PLAN

- NOTES:**
- FOR GENERAL NOTES AND LEGEND, REFER TO DRG. NO. 60022471/C4/1000.
 - FOR DETAILS OF PROPOSED PUMPING STATION, REFER TO DRG. NO. 60022471/C4/1255.

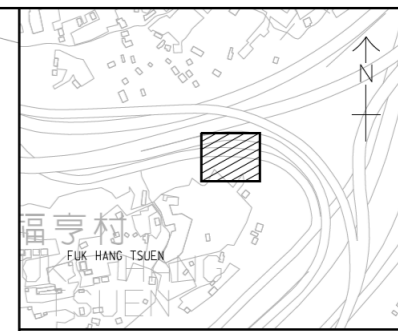
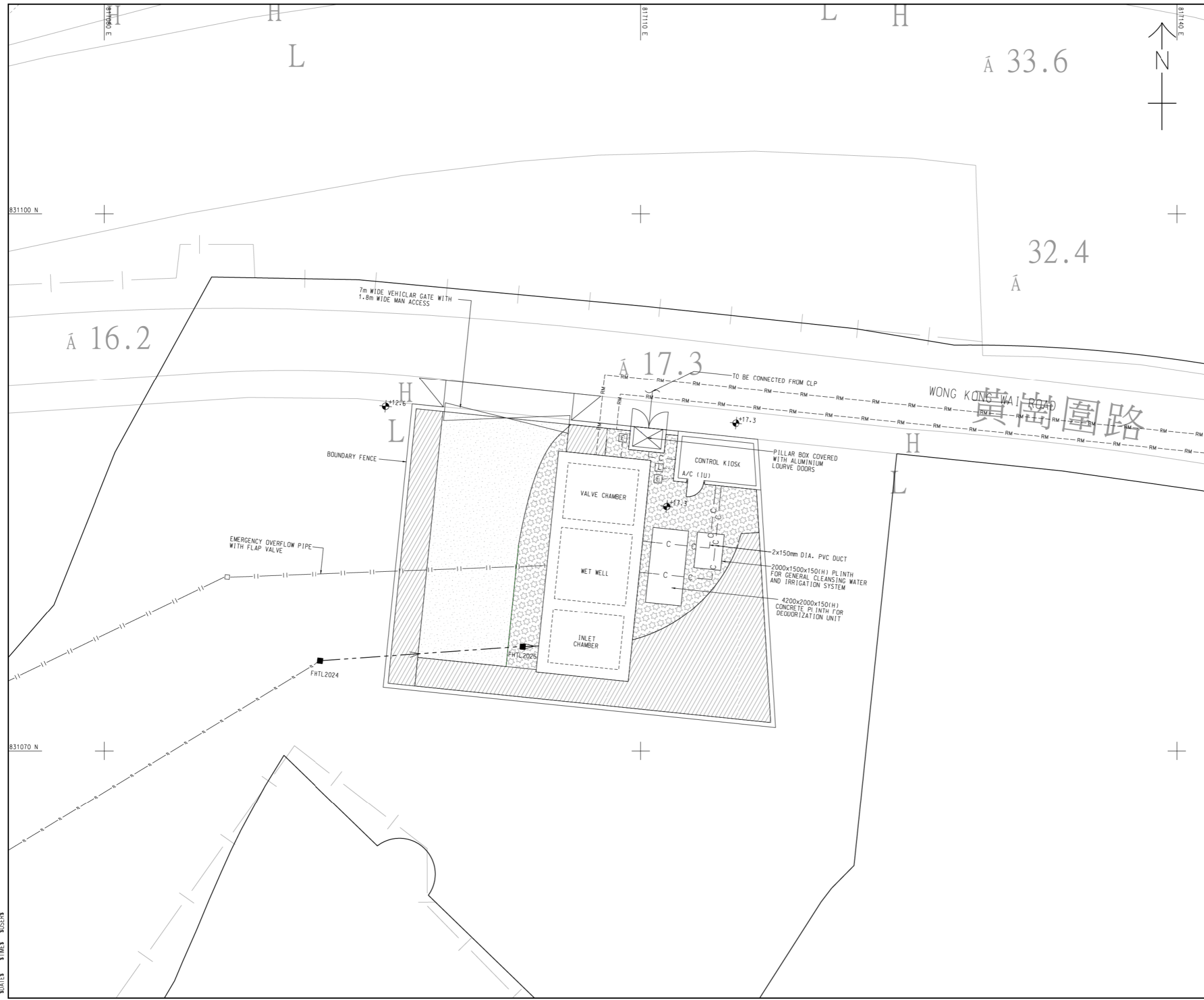
- LEGEND:**
- PROPOSED SEWER
 - PROPOSED RISING MAIN
 - PROPOSED SEWER (TO BE CONSTRUCTED BY TRENCHLESS METHOD)
 - PROPOSED CABLE DUCT
 - PROPOSED EMERGENCY OVERFLOW PIPE
 - U-CHANNEL WITH CAST IRON GRATING
 - UNTENSIONED CORRUGATED BEAM BARRIER REFER TO HYD STANDARD DRAWING NO. H2119D
 - WORKS AREA
 - VEHICULAR ACCESS ROAD
 - 1x25 G.I. CABLE DUCT (NO. AND SIZE AS INDICATED) (BY CIVIL CONTRACTOR)
 - 1x100 SINGLE LAYER G.I. CABLE DUCT (NO. AND SIZE AS INDICATED) (BY CIVIL CONTRACTOR)
 - E EARTHLING PIT. EXACT LOCATION TO BE DETERMINED ON SITE (DETAILS REFER TO DRG. NO. 6022471/C4/8001)
 - L LIGHTING PIT. EXACT LOCATION TO BE DETERMINED ON SITE (DETAILS REFER TO DRG. NO. 6022471/C4/8001)
 - PROPOSED SITE BOUNDARY OF FUK HANG TSUEN (LOWER) SEWAGE PUMPING STATION

REV. 修改	DESCRIPTION 內容修改	BY 由	CHK. 校核	DATE 日期
<p>D DRAINAGE SERVICES DEPARTMENT, THE GOVERNMENT OF THE HONG KONG SPECIAL ADMINISTRATIVE REGION</p> <p>CASTLE PEAK ROAD TRUNK SEWER AND TUEN MUN VILLAGE SEWERAGE 青山公路污水幹渠及屯門鄉村污水收集系統</p> <p>FUK HANG TSUEN (LOWER) SEWAGE PUMPING STATION - LAYOUT PLAN</p> <p>AECOM</p>				
DRG. NO. 圖紙編號		60022471/C4/3000		
DESIGNED BY 設計	CONTRACT NO. 合約編號	DATE 日期	APPROVED 核准	
BYTYF	DC/2014/01		DML	
DRAWN BY 繪圖	STATUS 狀態			
SH				
SCALE 比例				
1:100				
DIMENSIONS ARE IN METRES 尺寸單位	© COPYRIGHT RESERVED 版權所有			

參考編號 REFERENCE No. 繪圖 DRAWING
A/TM-LTYT/373 A-1

(Extract from Applicant's Submission Dated 30.7.2019)

DATE: 30.7.2019
TIME: 10:00 AM
USER: \$FILES



LOCATION PLAN
SCALE 1:1000

- NOTES:**
- FOR GENERAL NOTES AND LEGEND, REFER TO DRAWING NO. 60022471/C4/1000.
 - FOR DETAILS OF PROPOSED PUMPING STATION, REFER TO DRAWING NO. 60022471/C4/1255.

- LEGEND:**
- PROPOSED SEWER
 - PROPOSED RISING MAIN
 - PROPOSED SEWER (TO BE CONSTRUCTED BY TRENCHLESS METHOD)
 - PROPOSED CABLE DUCT
 - PROPOSED EMERGENCY OVERFLOW PIPE
 - U-CHANNEL WITH CAST IRON GRATING
 - UNTENSIONED CORRUGATED BEAM BARRIER REFER TO HYD STANDARD DRAWING NO. H2119D
 - WORKS AREA
 - VEHICULAR ACCESS ROAD
 - GARSSCRETE PAVING
 - PLANTER AREA
 - 1x25 G.I. CABLE DUCT (NO. AND SIZE AS INDICATED) (BY CIVIL CONTRACTOR)
 - 1x100 SINGLE LAYER G.I. CABLE DUCT (NO. AND SIZE AS INDICATED) (BY CIVIL CONTRACTOR)
 - EARTHLING PIT. EXTRACT LOCATION TO BE DETERMINED ON SITE (DETAILS REFER TO DRG. NO. 6022471/C4/8001)
 - LIGHTING PIT. EXTRACT LOCATION TO BE DETERMINED ON SITE (DETAILS REFER TO DRG. NO. 6022471/C4/8001)

NO.	DESCRIPTION	S.D.	P.L.	DATE
號	內容	號	號	日期

**DRAINAGE SERVICES DEPARTMENT,
THE GOVERNMENT OF THE HONG KONG
SPECIAL ADMINISTRATIVE REGION**

CASTLE PEAK ROAD TRUNK SEWER
AND TUEN MUN VILLAGE SEWERAGE
青山公路污水幹渠及屯門鄉村污水收集系統

FUK HANG TSUEN (LOWER)
SEWAGE PUMPING STATION
LANDSCAPE FINISHES

AECOM

DRG.NO. 60022471/C4/3300
圖紙編號

DESIGNED BY 設計	CONTRACT NO. 合約編號	P. BY- APPROVED 核准人
BTYF	DC/2014/01	DML

DRAWN BY 繪圖	STATUS 階段
SH	

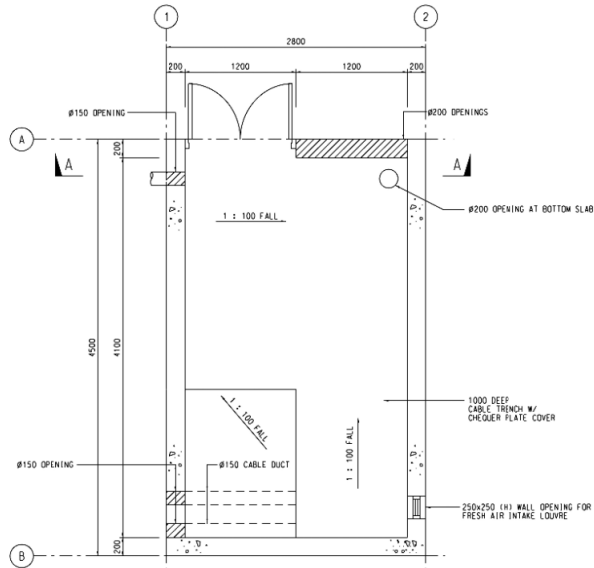
SCALE 1:1000
比例尺

DIMENSIONS ARE IN METRES
尺寸單位為公尺

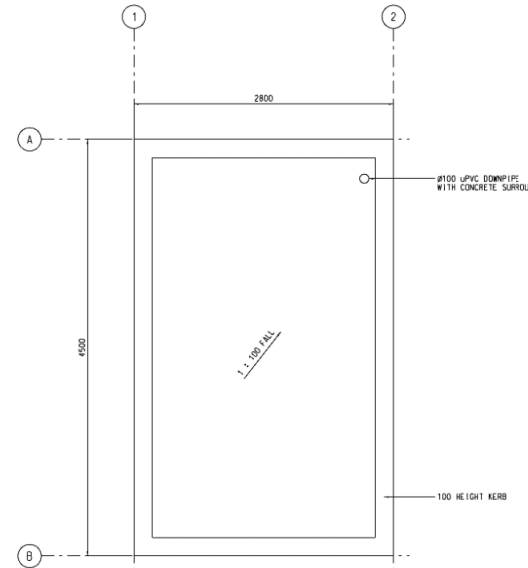
© COPYRIGHT RESERVED
版權所有

參考編號 REFERENCE No. A/TM-LTYT/373	繪圖 DRAWING A-2
-------------------------------------	-------------------

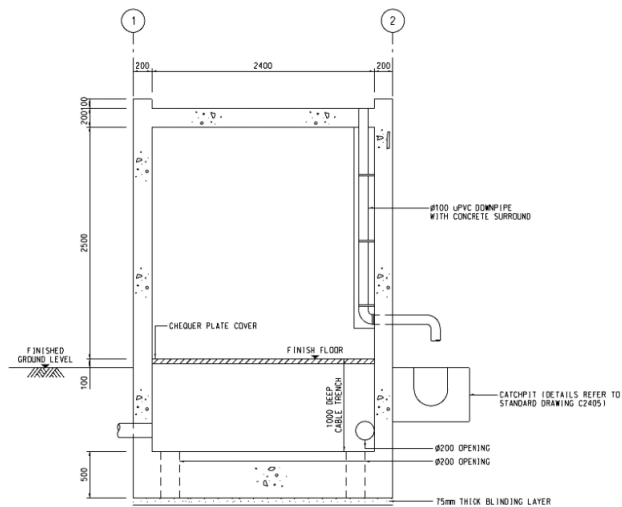
(Extract from Applicant's Submission Dated 30.7.2019)



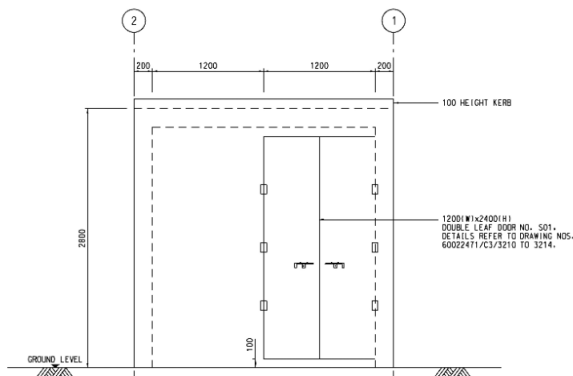
FLOOR PLAN



ROOF PLAN



SECTION A - A



ELEVATION

+ 17.3

NOTES:

- ALL DIMENSIONS ARE IN MILLIMETRES.
- ROOFING DETAILS REFER TO DRAWING NO. 60022471/C3/B041.
- CHEQUER PLATE COVERS ARE TO BE DESIGNED BY THE CONTRACTOR.
- CONCEALED CONDUITS SHALL BE PROVIDED AT CONTROL KIOSK FOR CABLEING. THE CONTRACTOR SHALL COORDINATE WITH LEW CONTRACTOR FOR DETAILED CONDUIT REQUIREMENT AND ARRANGEMENT.
- ROOFING SYSTEM AT ROOF SHALL BE PROPRIETARY SYSTEM COMPLYING WITH SECTION 12 OF GENERAL SPECIFICATION FOR BUILDING (2012 EDITION). THE CONTRACTOR SHALL PROPOSE DETAIL OF ROOFING SYSTEM FOR THE APPROVAL OF THE ENGINEER.
- NOT USED.
- THE CONTRACTOR SHALL CARRY OUT NON-DESTRUCTIVE TEST TO THE ROOFING SYSTEM.
- CONCRETE FINISHES FORMED, UNFORMED AND TREATED CONCRETE FINISHED SHALL BE IN ACCORDANCE WITH SECTION 14 OF THE GENERAL SPECIFICATION. FORMED AND UNFORMED CONCRETE FINISHES SHALL BE AS FOLLOWS:

	FORMED	UNFORMED
EXPOSED	F4	U5
BURIED	F2	U3
- FLEXIBLE JOINTS ON PIPES INTO STRUCTURES, MANHOLES OR CHAMBERS SHALL BE POSITIONED FROM THE OUTSIDE FACE OF THE STRUCTURE AS STATED IN THE BELOW (MM) UNLESS OTHERWISE STATED.

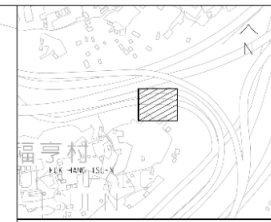
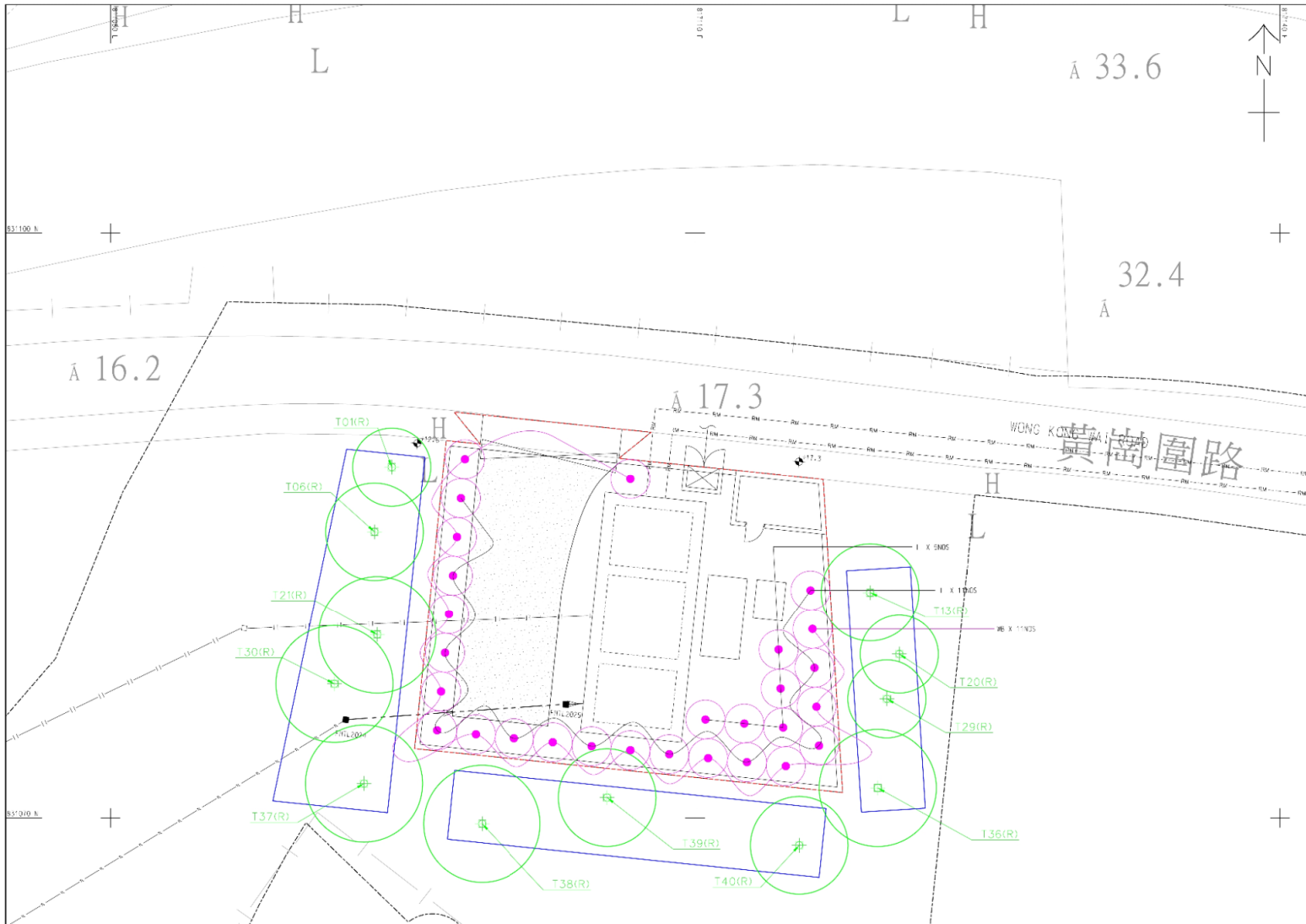
PIPE DIAMETER	FIRST FLEXIBLE JOINS		SECOND FLEXIBLE JOINS	
	MIN.	MAX.	MIN.	MAX.
NOT EXCEEDING 450mm			500 OR DIAMETER OF PIPE WHICHEVER IS LESS	450
EXCEEDING 450mm BUT NOT EXCEEDING 1050mm	150		900	1200
- EXACT SIZE AND LOCATION OF CONCRETE PLINTHS SHALL FOLLOW THE CIVIL REQUIREMENT DRAWING PROVIDED BY C&M CONTRACTOR.
- RODDING EYE TO BE PROVIDED TO DN150 UPVC DOWNPIPE.
- ALL EXPOSED CORNERS OF CONCRETE SURFACES SHALL HAVE 25MM CHAMBERS UNLESS OTHERWISE STATED.
- LOCATION OF ALL CONSTRUCTION JOINTS AND JOINT DETAILS TO BE PROVIDED BY THE CONTRACTOR FOR THE APPROVAL OF THE ENGINEER.
- THE DESIGN OF PLINTH TO SUPPORT ANY MECHANICAL/ELECTRICAL EQUIPMENT TO BE DESIGNED BY THE CONTRACTOR WITH INDEPENDENT CHECKING ENGINEER CERTIFICATION AND APPROVAL BY THE ENGINEER.
- UNLESS OTHERWISE STATED, CONCRETE GRADE SHALL BE AS FOLLOWS:

SUPERSTRUCTURES:	450/20
SUB-STRUCTURES:	450/20
BENCHING LAYER:	200/20
PLINTH	200/20
- ALL FALLS OF FLOOR, ROOF AND VALVE CHAMBER SHALL HAVE GRADIENT OF 1 IN 100 UNLESS OTHERWISE SPECIFIED.
- ALL EXTERNAL METALLIC MATERIAL SHALL BE PROPERLY EARTH. DETAILS OF THE EARTHING ARRANGEMENT TO BE PROVIDED BY THE CONTRACTOR TO THE APPROVAL OF THE ENGINEER.
- ALL METAL WORKS, INCLUDING LOUVRES AND DOORS, TO BE INSTALLED AT ELWAGE PUMPING STATION SHALL BE OF STAINLESS STEEL GRADE 1.4404.

NO.	REVISION	DATE	BY
1	ISSUED FOR TENDER		
D DRAINAGE SERVICES DEPARTMENT, THE GOVERNMENT OF THE HONG KONG SPECIAL ADMINISTRATIVE REGION CASTLE PEAK ROAD TRUNK SEWER AND TIEN MUN VILLAGE SEWERAGE 青山公路坑口幹線渠及田村污水收集系統 FUK HANG TSUEN (LOWER) SEWAGE PUMPING STATION CONTROL KIOSK - FRAMING PLAN AECOM			
DRG. NO.	60022471/C4/3110		
圖紙編號			
DESIGNED BY	SWK	CHECKED BY	DC/2014/01
DRAWN BY	LVP	STATUS	NA
SCALE	AS SHOWN		
DATE	2014/01/01		
BY	MILLIMETRES		
© COPYRIGHT RESERVED			

參考編號 REFERENCE No. 繪圖 DRAWING
A/TM-LTY/373 A-3

(摘錄自申請人於30. 7. 2019呈交的申請書)
(Extract from Applicant's
Submission Dated 30.7.2019)



LOCATION PLAN
SCALE 1:4000

- LEGEND:
- SITE BOUNDARY
 - OFF PROTECTION FENCE
 - ⊕ OFF TO 3" RETAIN'D
 - ⊙ TREES ON SITE PLAN

TREE PLANTING IN AMENITY AREA

CODE	BOTANICAL NAME	CHINESE NAME	SPACING (mm)	SIZE(m) HEIGHT(m) x SPREAD (S)	QUANTITY	PLANTING DEPTH (m)	PLANTING WIDTH (m)
WB	<i>Wodyetia bifurcata</i>	狐尾椰子	2000	5(H) x 1(S)	12	1.2	1.6
HL	<i>Hyophorbe Lagenicaulis</i>	酒瓶椰子	2000	2(H) x 1(S)	16	1.2	1.6

DRAINAGE SERVICES DEPARTMENT,
THE GOVERNMENT OF THE HONG KONG
SPECIAL ADMINISTRATIVE REGION

CASTLE PEAK ROAD TRUNK SEWER
AND TIEN MUN VILLAGE SEWERAGE
青山公路坑口幹線渠及田村村污水收集系統

FUK HANG TSUEN (LOWER)
SEWAGE PUMPING STATION -
TREE COMPENSATORY PLAN

AECOM

DRGNO: 60022471/C4/7020

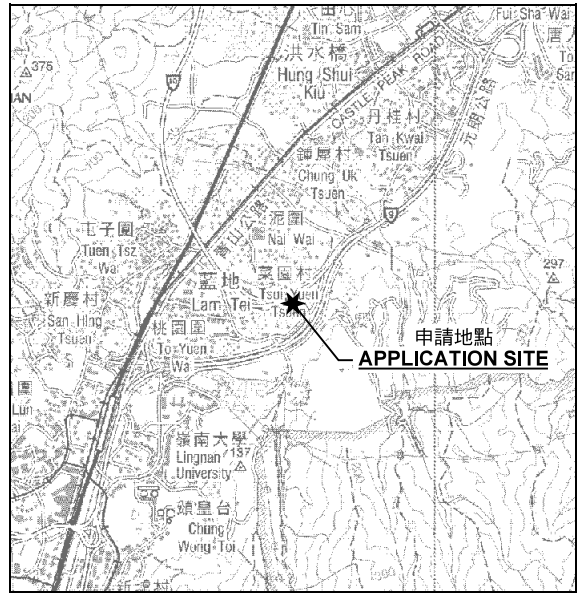
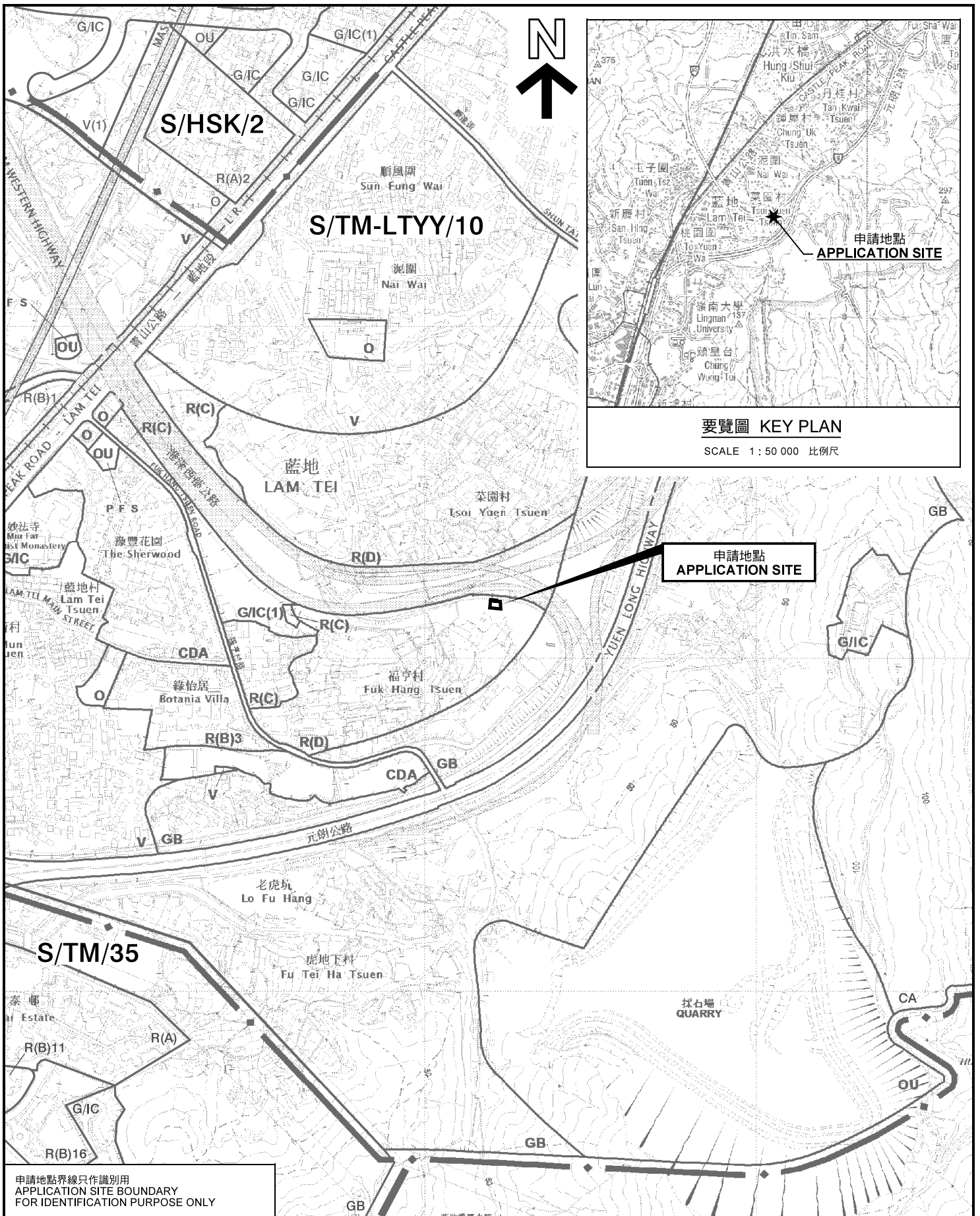
DATE: 30/7/2019

SCALE: 1:1000

© COPYRIGHT RESERVED

參考編號 REFERENCE No. 繪圖 DRAWING
A/TM-LTY/373 A-4

(摘錄自申請人於30. 7. 2019呈交的申請書)
(Extract from Applicant's
Submission Dated 30.7.2019)



要覽圖 KEY PLAN

SCALE 1 : 50 000 比例尺

申請地點
APPLICATION SITE

申請地點界線只作識別用
APPLICATION SITE BOUNDARY
FOR IDENTIFICATION PURPOSE ONLY

位置圖 LOCATION PLAN

擬議公用事業設施裝置(污水泵房)
新界屯門丈量約份第130約政府土地
PROPOSED PUBLIC UTILITY INSTALLATION
(SEWAGE PUMPING STATION)
GOVERNMENT LAND IN D.D. 130, TUEN MUN, NEW TERRITORIES

本摘要圖於2019年9月11日擬備，
所根據的資料為於2018年10月16日
核准的分區計劃大綱圖編號 S/TM-LTTY/10
EXTRACT PLAN PREPARED ON 11.9.2019
BASED ON OUTLINE ZONING PLAN No.
S/TM-LTTY/10 APPROVED ON 16.10.2018

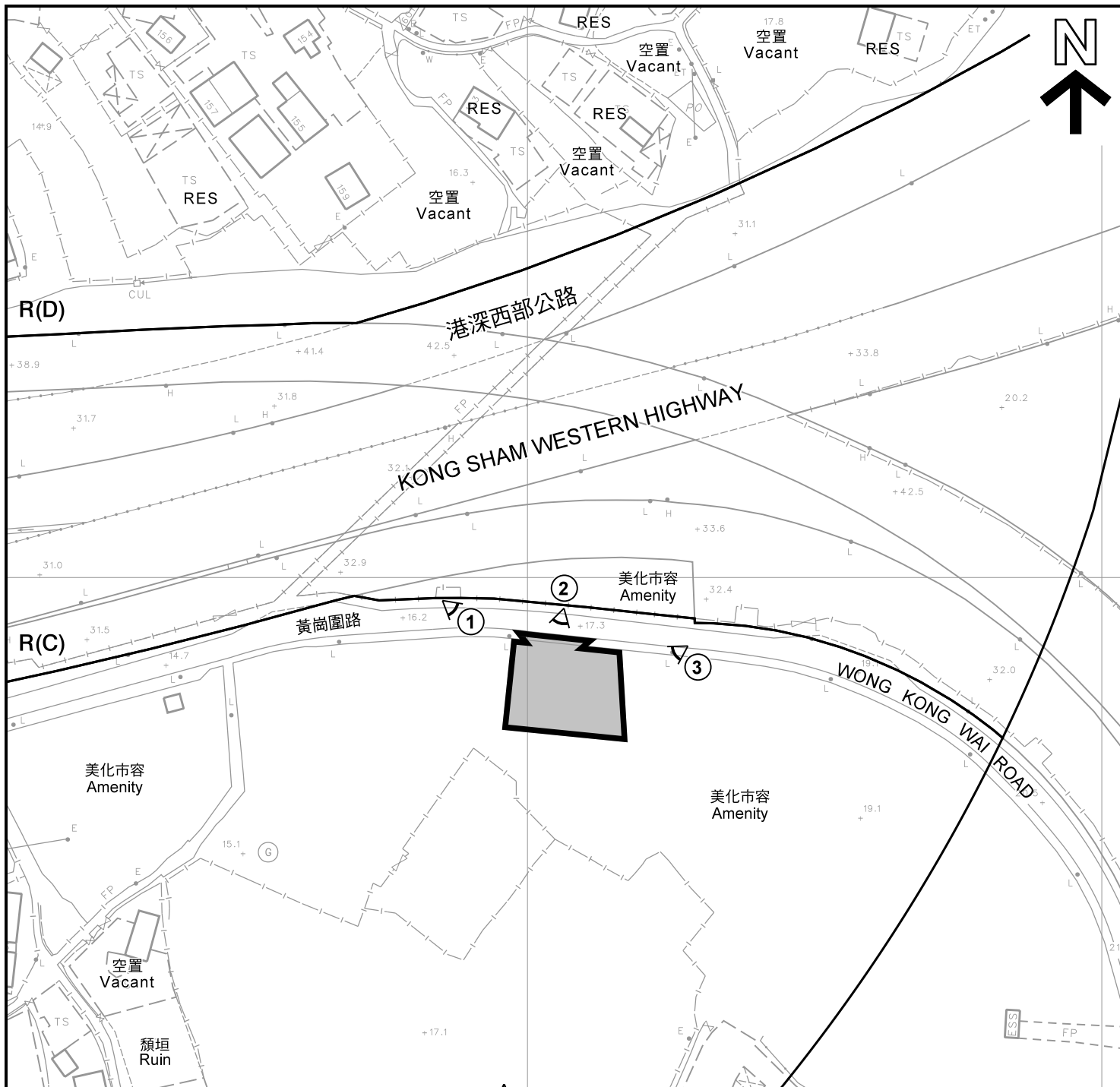
規劃署
PLANNING
DEPARTMENT



參考編號
REFERENCE No.
A/TM-LTTY/373

圖 PLAN
A-1

SCALE 1 : 7 500 比例尺
METRES 100 0 100 200 300 METRES



註釋 Notes:

- (1) 2019年8月23日勘測的土地用途
Land uses shown on this plan are in accordance with the land use survey conducted by the Planning Department on 23.8.2019
- (2) * 土地用途跟1993年7月勘測的土地用途一致
Indicates that the use is the same as that revealed by the land use survey conducted by the Planning Department on 7.1993
- (3) ^ 土地用途跟1993年7月勘測的土地用途有別
Indicates that the use is different from that revealed by the land use survey conducted by the Planning Department on 7.1993

圖例 LEGEND

- 申請地點(界線只作識別用)
APPLICATION SITE
(BOUNDARY FOR IDENTIFICATION
PURPOSE ONLY)
- 政府土地
GOVERNMENT LAND
- R(C)** 住宅(丙類)
RESIDENTIAL (GROUP C)
- R(D)** 住宅(丁類)
RESIDENTIAL (GROUP D)
- GB** 綠化地帶
GREEN BELT
- RES** 住用構築物
RESIDENTIAL STRUCTURES
- 實地照片的觀景點
VIEWING POINT OF SITE PHOTO

平面圖 SITE PLAN

擬議公用事業設施裝置(污水泵房)
新界屯門丈量約份第130約政府土地
PROPOSED PUBLIC UTILITY INSTALLATION
(SEWAGE PUMPING STATION)
GOVERNMENT LAND IN D.D. 130, TUEN MUN, NEW TERRITORIES

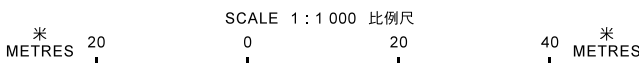
本摘要圖於2019年9月5日擬備，所根據的資料為測量圖編號 6-NW-22A
EXTRACT PLAN PREPARED ON 5.9.2019
BASED ON SURVEY SHEET No. 6-NW-22A

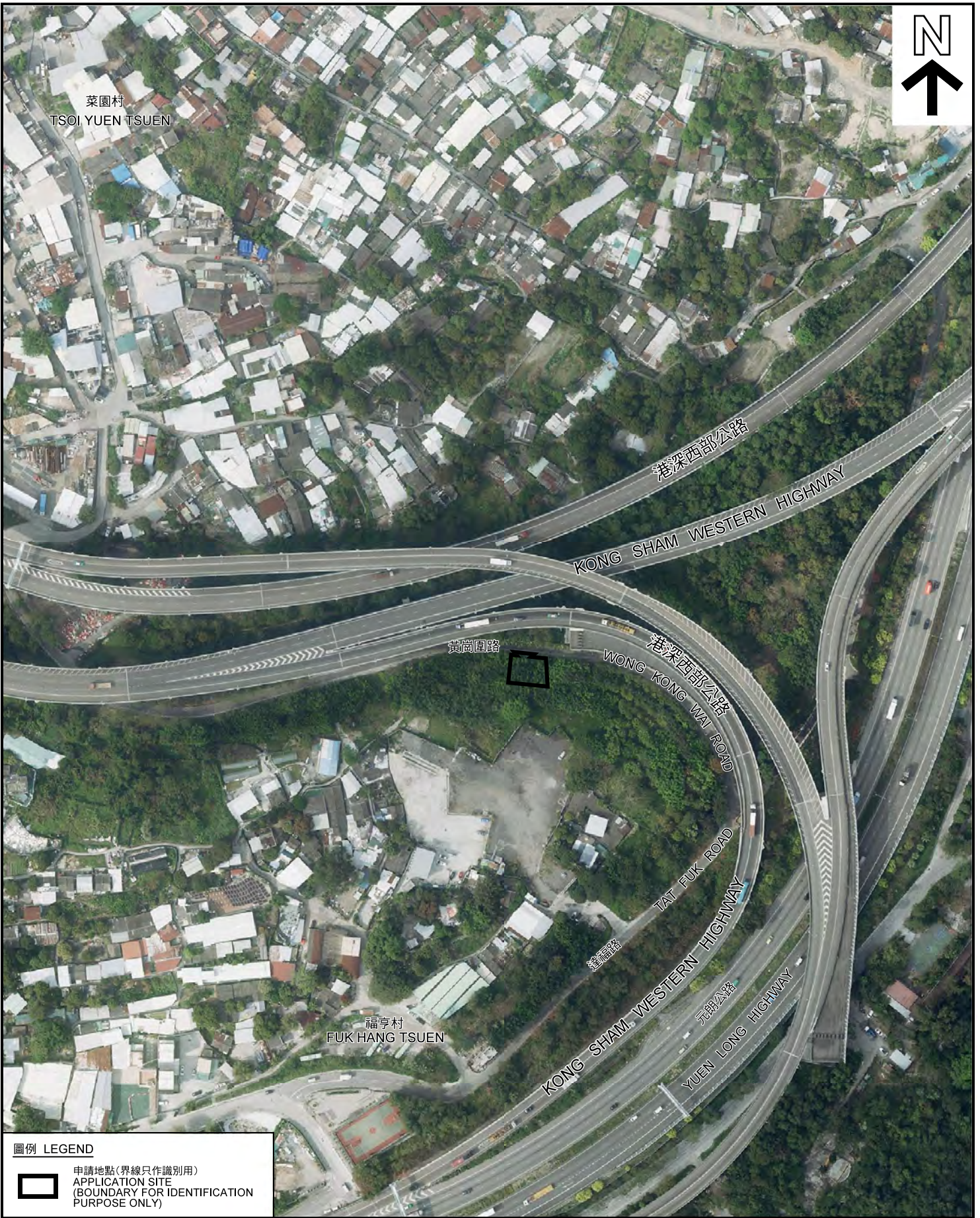
規劃署
PLANNING
DEPARTMENT



參考編號
REFERENCE No.
A/TM-LTTY/373

圖 PLAN
A-2





圖例 LEGEND



申請地點(界線只作識別用)
APPLICATION SITE
(BOUNDARY FOR IDENTIFICATION
PURPOSE ONLY)

本摘要圖於2019年5月2日擬備，所根據的資料為地政總署於2018年3月13日拍得的航攝照片編號 E035892C
EXTRACT PLAN PREPARED ON 2.5.2019
BASED ON AERIAL PHOTO No.
E035892C TAKEN ON 13.3.2018
BY LANDS DEPARTMENT

航攝照片 AERIAL PHOTO

擬議公用事業設施裝置(污水泵房)
新界屯門丈量約份第130約政府土地
PROPOSED PUBLIC UTILITY INSTALLATION
(SEWAGE PUMPING STATION)
GOVERNMENT LAND IN D.D. 130, TUEN MUN, NEW TERRITORIES

規劃署
PLANNING
DEPARTMENT



參考編號
REFERENCE No.
A/TM-LTTY/373

圖 PLAN
A-3



申請地點界線只作識別用
APPLICATION SITE BOUNDARY FOR IDENTIFICATION PURPOSE ONLY

實地照片 SITE PHOTO

擬議公用事業設施裝置(污水泵房)
新界屯門丈量約份第130約政府土地
PROPOSED PUBLIC UTILITY INSTALLATION
(SEWAGE PUMPING STATION)
GOVERNMENT LAND IN D.D. 130, TUEN MUN, NEW TERRITORIES

規劃署
**PLANNING
DEPARTMENT**



本圖於2019年8月28日擬備，所根據的資料為攝於2019年8月23日的實地照片
PLAN PREPARED ON 28.8.2019
BASED ON SITE PHOTOS
TAKEN ON 23.8.2019

參考編號
REFERENCE No.
A/TM-LTTY/373

圖 PLAN
A-4