

Project 項目名稱:

Proposed Temporary Warehouse for Storage of Plastic & Retail of Plastic Pellet for a Period of 3 Years at Lots 2019 (Part) & 2037 (Part) in D.D. 129, Lau Fau Shan, Yuen Long, N.T.

Drawing Title 圖目:

Application Site

Remarks 備註:

→ Vehicular access laeang from Deep Bay Road

Drawing No. 圖號:

Figure 1

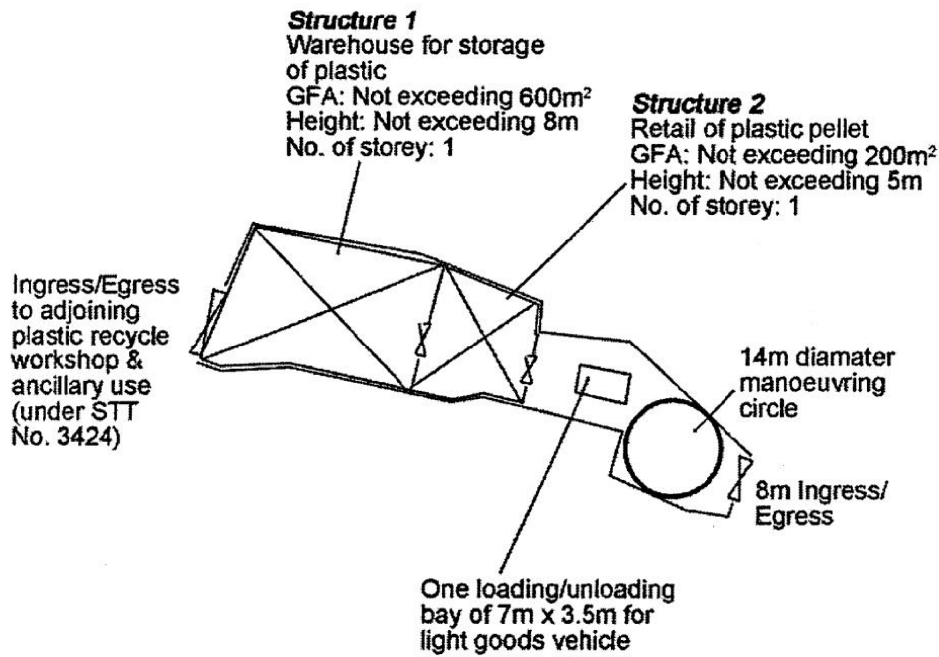
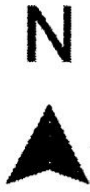
Scale 比例:

1:1000

(摘錄自申請人於 15. 5. 2018 呈交的申請書)
(Extract from Applicant's Submission of 15.5.2018)

參考編號
REFERENCE No.
A/YL-LFS/321

繪圖 DRAWING
A-1



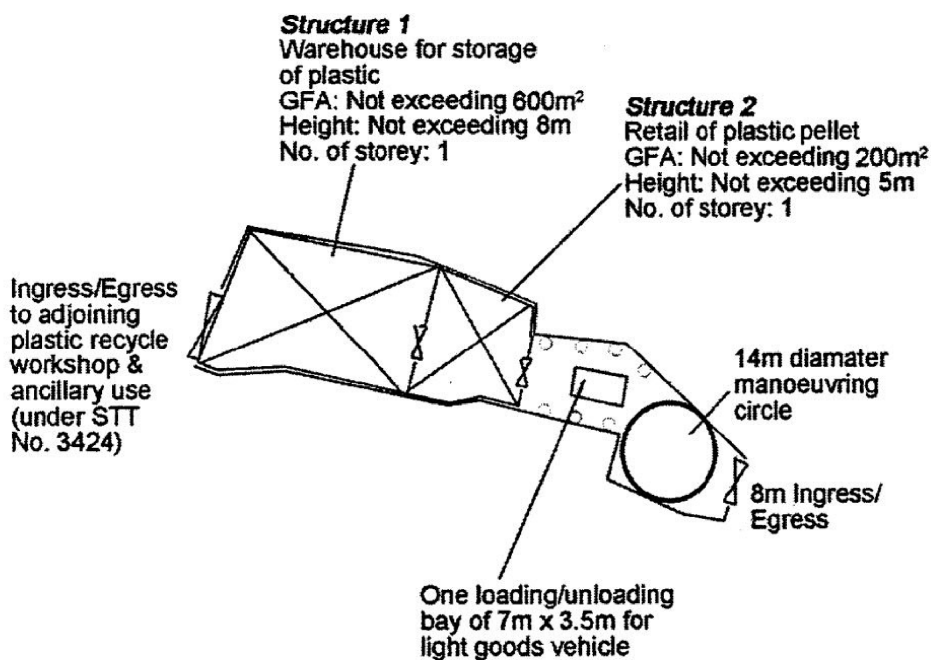
Project 項目名稱: Proposed Temporary Warehouse for Storage of Plastic & Retail of Plastic Pellet for a Period of 3 Years at Lots 2019 (Part) & 2037 (Part) in D.D. 129, Lau Fau Shan, Yuen Long, N.T.	Drawing Title 圖目: Proposed Layout Plan	Remarks 備註:
	Drawing No. 圖號: Figure 3	Scale 比例: 1:1000

(摘錄自申請人於 15. 5. 2018 提交的申請書)
(Extract from Applicant's Submission of 15.5.2018)

參考編號 REFERENCE No. A/YL-LFS/321	繪圖 DRAWING A-2
---------------------------------------	-------------------



Proposed Tree	Approximate Height	Spacing
○ Proposed <i>Bauhinia blakeana</i>	2.75m	4m

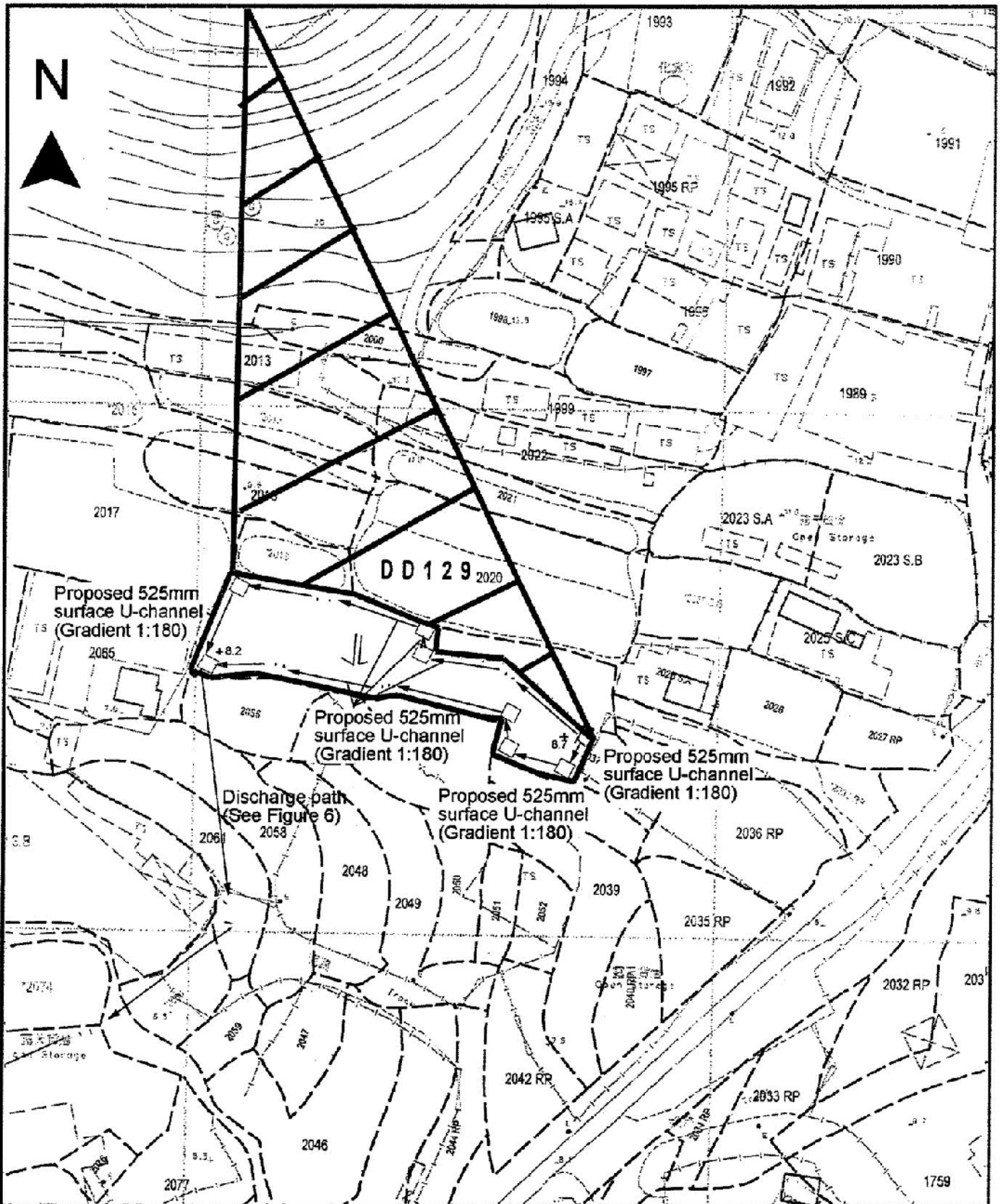


Project 項目名稱: Proposed Temporary Warehouse for Storage of Plastic & Retail of Plastic Pellet for a Period of 3 Years at Lots 2019 (Part) & 2037 (Part) in D.D. 129, Lau Fau Shan, Yuen Long, N.T.	Drawing Title 圖名: Proposed Landscape Plan	Remarks 備註:
	Drawing No. 圖號: Figure 4	Scale 比例: 1:1000

(摘錄自申請人於 15. 5. 2018 提交的申請書)
(Extract from Applicant's Submission of 15.5.2018)

參考編號
REFERENCE No.
A/YL-LFS/321

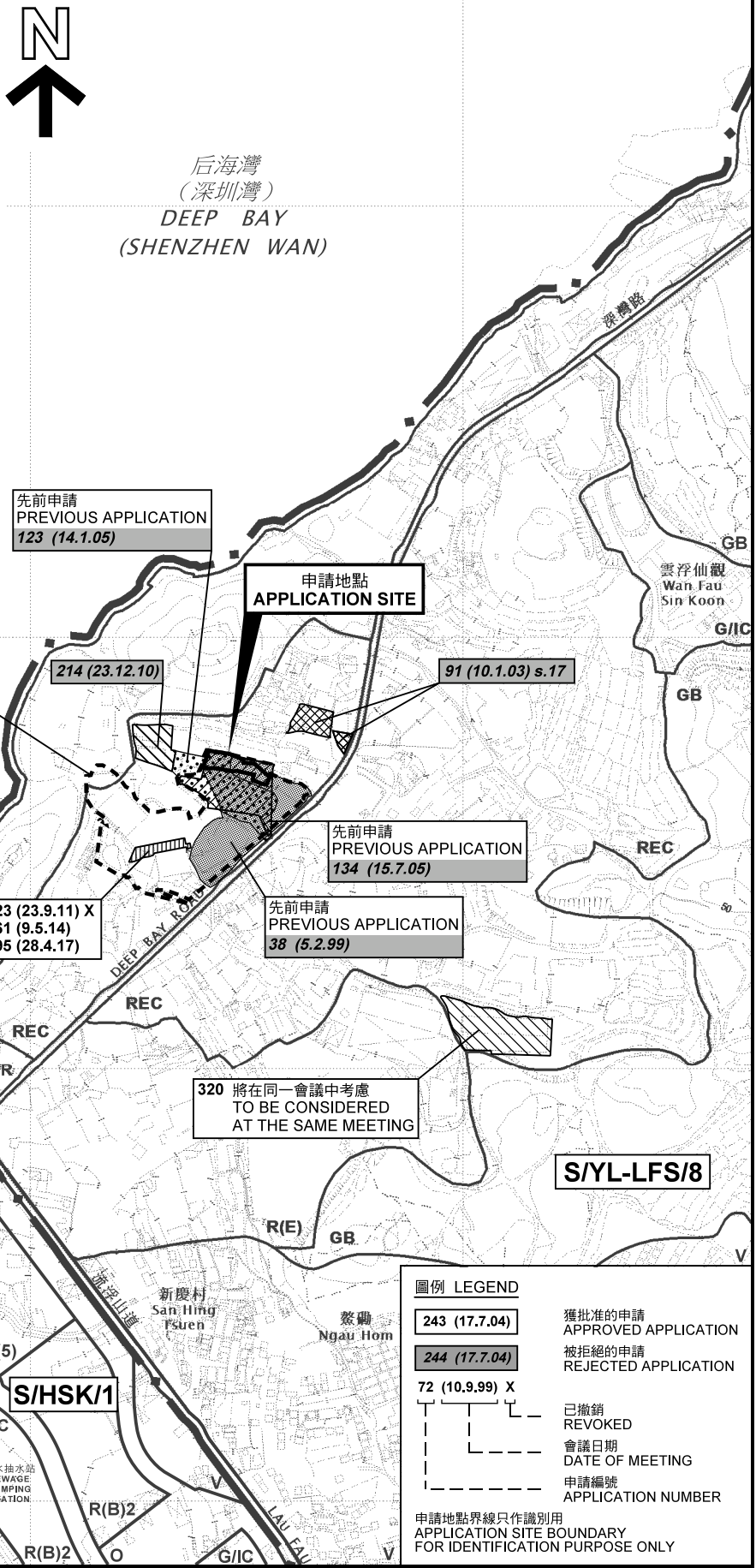
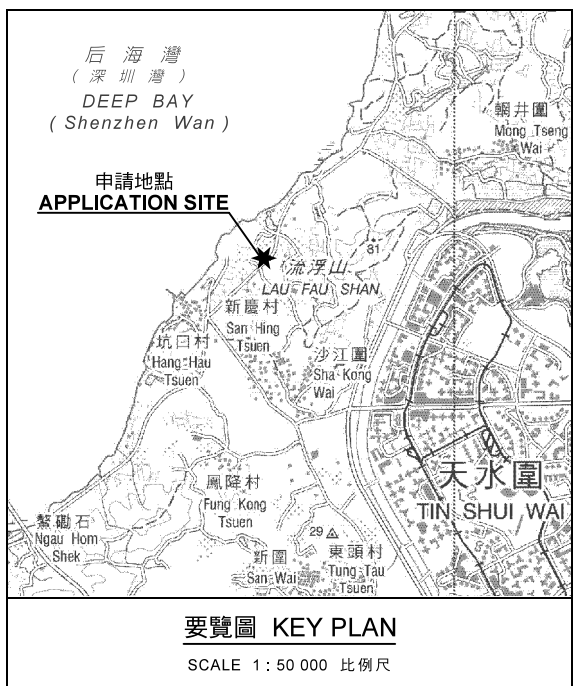
繪圖 DRAWING
A-3



<p>Project 項目名稱: Proposed Temporary Warehouse for Storage of Plastic & Retail of Plastic Pellet for a Period of 3 Years at Lots 2019 (Part) & 2037 (Part) in D.D. 129, Lau Fau Shan, Yuen Long, N.T.</p>	<p>Drawing Title 圖目: Proposed Drainage Plan</p> <p>Drawing No. 圖號: Figure 5</p>	<p>Remarks 備註:</p> <ul style="list-style-type: none"> <input type="checkbox"/> Proposed catchpit +a.7 Level (mPD) ← Flow of Surface Runoff □ Application site ▨ External catchment <p>Scale 比例: 1:1000</p>
--	---	---

(摘錄自申請人於 15. 5. 2018 呈交的申請書)
 (Extract from Applicant's Submission of 15.5.2018)

<p>參考編號 REFERENCE No. A/YL-LFS/321</p>	<p>繪圖 DRAWING A-4</p>
---	-----------------------------------



本摘要圖於2018年6月21日備備，
所根據的資料為於2017年5月26日
展示的分區計劃大綱圖編號 S/YL-LFS/8
EXTRACT PLAN PREPARED ON 21.6.2018
BASED ON OUTLINE ZONING PLAN No.
S/YL-LFS/8 EXHIBITED ON 26.5.2017

位置圖 LOCATION PLAN

擬議臨時貨倉存放塑膠及零售粒狀塑膠 (為期3年)
元朗流浮山丈量約份第129約地段第2019號(部分)及第2037號(部分)
PROPOSED TEMPORARY WAREHOUSE FOR
STORAGE OF PLASTIC AND RETAIL OF PLASTIC PELLET
FOR A PERIOD OF 3 YEARS
LOTS 2019 (PART) AND 2037 (PART) IN D.D.129,
LAU FAU SHAN, YUEN LONG

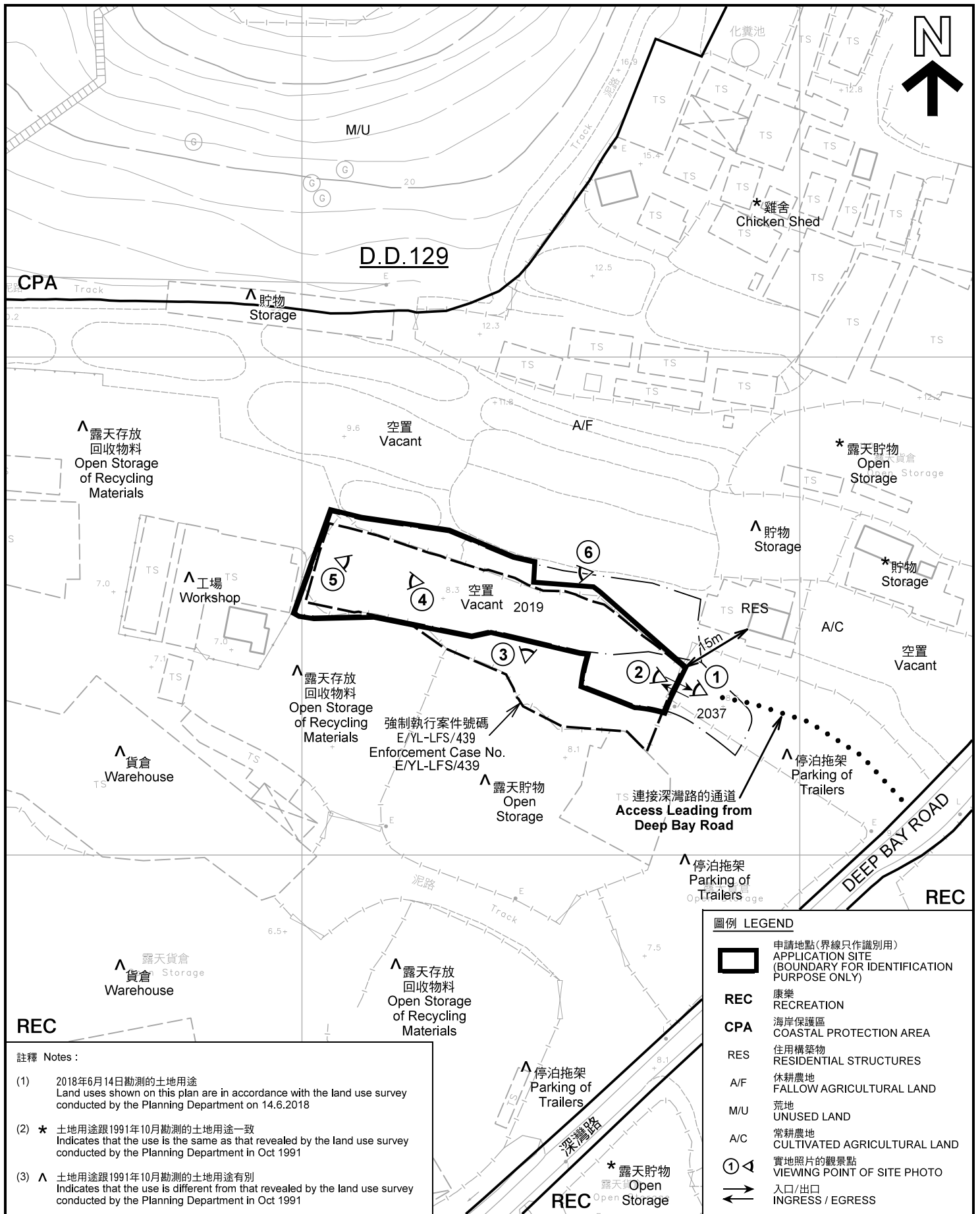
SCALE 1 : 7 500 比例尺

米 100 0 100 200 300 米
METRES

規劃署
PLANNING
DEPARTMENT

參考編號
REFERENCE No.
A/YL-LFS/321

圖 PLAN
A-1



註釋 Notes :

- (1) 2018年6月14日勘測的土地用途
Land uses shown on this plan are in accordance with the land use survey conducted by the Planning Department on 14.6.2018
- (2) * 土地用途跟1991年10月勘測的土地用途一致
Indicates that the use is the same as that revealed by the land use survey conducted by the Planning Department in Oct 1991
- (3) ^ 土地用途跟1991年10月勘測的土地用途有別
Indicates that the use is different from that revealed by the land use survey conducted by the Planning Department in Oct 1991

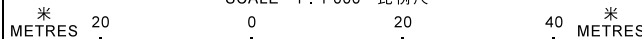
圖例 LEGEND

- 申請地點(界線只作識別用)
APPLICATION SITE (BOUNDARY FOR IDENTIFICATION PURPOSE ONLY)
- REC** 康樂
RECREATION
- CPA** 海岸保護區
COASTAL PROTECTION AREA
- RES** 住用構築物
RESIDENTIAL STRUCTURES
- A/F** 休耕農地
FALLOW AGRICULTURAL LAND
- M/U** 荒地
UNUSED LAND
- A/C** 常耕農地
CULTIVATED AGRICULTURAL LAND
- 實地照片的觀景點
VIEWING POINT OF SITE PHOTO
- 入口/出口
INGRESS / EGRESS

平面圖 SITE PLAN

擬議臨時貨倉存放塑膠及零售粒狀塑膠 (為期3年)
元朗流浮山丈量約份第129約地段第2019號(部分)及第2037號(部分)
PROPOSED TEMPORARY WAREHOUSE FOR STORAGE OF PLASTIC AND RETAIL OF PLASTIC PELLET FOR A PERIOD OF 3 YEARS LOTS 2019 (PART) AND 2037 (PART) IN D.D.129, LAU FAU SHAN, YUEN LONG

SCALE 1 : 1 000 比例尺



本摘要圖於2018年6月27日擬備，所根據的資料為測量圖編號 2-SW-22A
EXTRACT PLAN PREPARED ON 27.6.2018 BASED ON SURVEY SHEET No. 2-SW-22A

**規劃署
PLANNING
DEPARTMENT**



參考編號
REFERENCE No.
AYL-LFS/321

**圖 PLAN
A-2**



圖例 LEGEND



申請地點(界線只作識別用)
APPLICATION SITE
(BOUNDARY FOR IDENTIFICATION
PURPOSE ONLY)

本摘要圖於2018年6月20日擬備，所根據的資料為地政總署於2018年1月3日拍得的航攝照片編號 E032736C
EXTRACT PLAN PREPARED ON 20.6.2018
BASED ON AERIAL PHOTO No.
E032736C TAKEN ON 3.1.2018
BY LANDS DEPARTMENT

航攝照片 AERIAL PHOTO

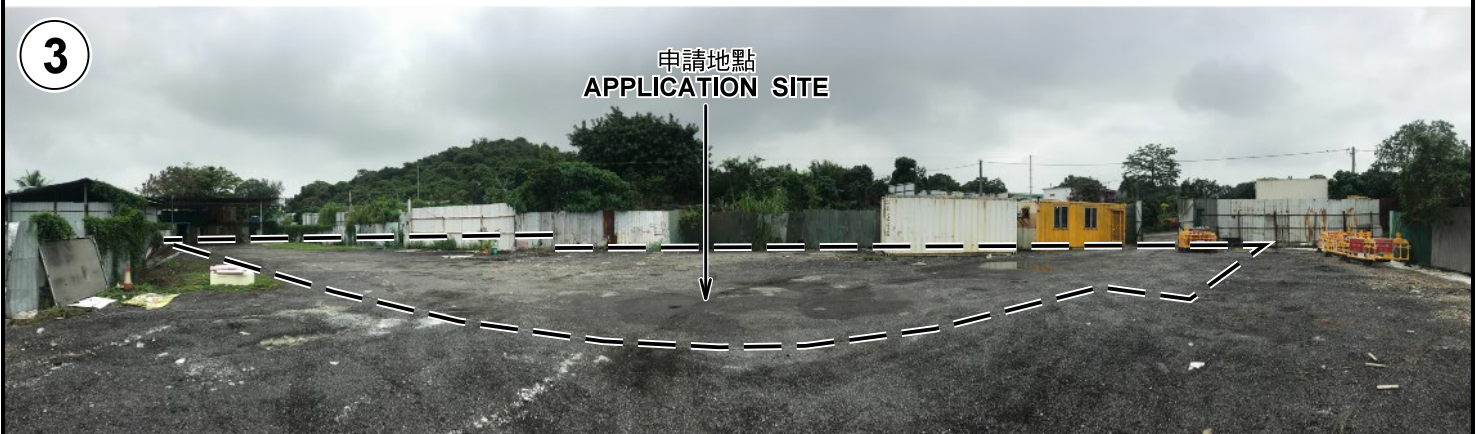
擬議臨時貨倉存放塑膠及零售粒狀塑膠 (為期3年)
元朗流浮山丈量約份第129約地段第2019號(部分)及第2037號(部分)
PROPOSED TEMPORARY WAREHOUSE FOR
STORAGE OF PLASTIC AND RETAIL OF PLASTIC PELLETS
FOR A PERIOD OF 3 YEARS
LOTS 2019 (PART) AND 2037 (PART) IN D.D.129,
LAU FAU SHAN, YUEN LONG

規劃署
PLANNING
DEPARTMENT



參考編號
REFERENCE No.
A/YL-LFS/321

圖 PLAN
A-3



申請地點界線只作識別用 APPLICATION SITE BOUNDARY FOR IDENTIFICATION PURPOSE ONLY

實地照片 SITE PHOTOS

擬議臨時貨倉存放塑膠及零售粒狀塑膠 (為期3年)
元朗流浮山丈量約份第129約地段第2019號(部分)及第2037號(部分)
PROPOSED TEMPORARY WAREHOUSE FOR
STORAGE OF PLASTIC AND RETAIL OF PLASTIC PELLETS
FOR A PERIOD OF 3 YEARS
LOTS 2019 (PART) AND 2037 (PART) IN D.D.129,
LAU FAU SHAN, YUEN LONG

規劃署
PLANNING
DEPARTMENT



參考編號
REFERENCE No.
AYL-LFS/321

圖 PLAN
A-4a

本圖於2018年6月20日擬備，所根據的資料為攝於2018年6月14日的實地照片
PLAN PREPARED ON 20.6.2018
BASED ON SITE PHOTOS
TAKEN ON 14.6.2018



申請地點
APPLICATION SITE



申請地點
APPLICATION SITE



申請地點
APPLICATION SITE

申請地點界線只作識別用 APPLICATION SITE BOUNDARY FOR IDENTIFICATION PURPOSE ONLY

實地照片 SITE PHOTOS

擬議臨時貨倉存放塑膠及零售粒狀塑膠 (為期3年)
元朗流浮山丈量約份第129約地段第2019號(部分)及第2037號(部分)
PROPOSED TEMPORARY WAREHOUSE FOR
STORAGE OF PLASTIC AND RETAIL OF PLASTIC PELLET
FOR A PERIOD OF 3 YEARS
LOTS 2019 (PART) AND 2037 (PART) IN D.D.129,
LAU FAU SHAN, YUEN LONG

規劃署
PLANNING
DEPARTMENT



參考編號
REFERENCE No.
AYL-LFS/321

圖 PLAN
A-4b

本圖於2018年6月20日擬備，所根據的資料為攝於2018年6月14日的實地照片
PLAN PREPARED ON 20.6.2018
BASED ON SITE PHOTOS
TAKEN ON 14.6.2018