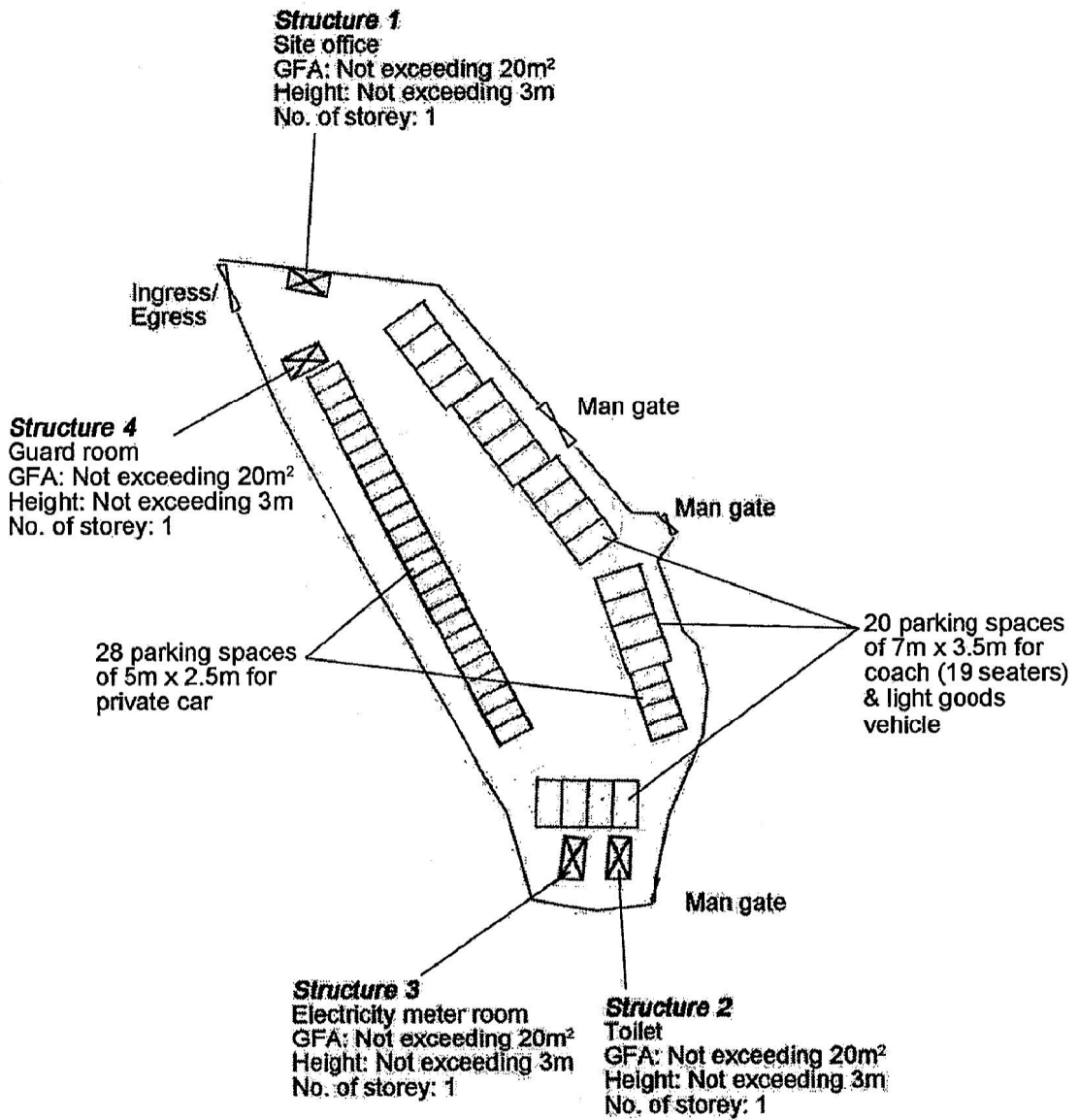


<p>Project 項目名稱:</p> <p>Proposed Temporary Public Vehicle Park for Private Cars, Light Goods Vehicles and 19-seaters Coaches for a Period of 3 Years at Lots 21 RP (Part), 22 RP (Part), 24 RP (Part), 25 (Part), 28 RP (Part) & 29 RP (Part) in D.D. 121, Tong Fong Tsuen, Ping Shan, Yuen Long, N.T.</p>	<p>Drawing Title 圖目:</p> <p>Location Plan</p>	<p>Remarks 備註:</p> <p>●●● Vehicular Access Leading from Ping Kwai Road</p>
	<p>Drawing No. 圖號:</p> <p>Figure 2</p>	<p>Scale 比例:</p> <p>—1:7500—</p>

(摘錄自申請人於 17.4.2020 提交的申請書)
 (Extract from Applicant's Submission of 17.4.2020)

<p>參考編號 REFERENCE No. AYL-PS/604</p>	<p>繪圖 DRAWING A-1</p>
--	---------------------------



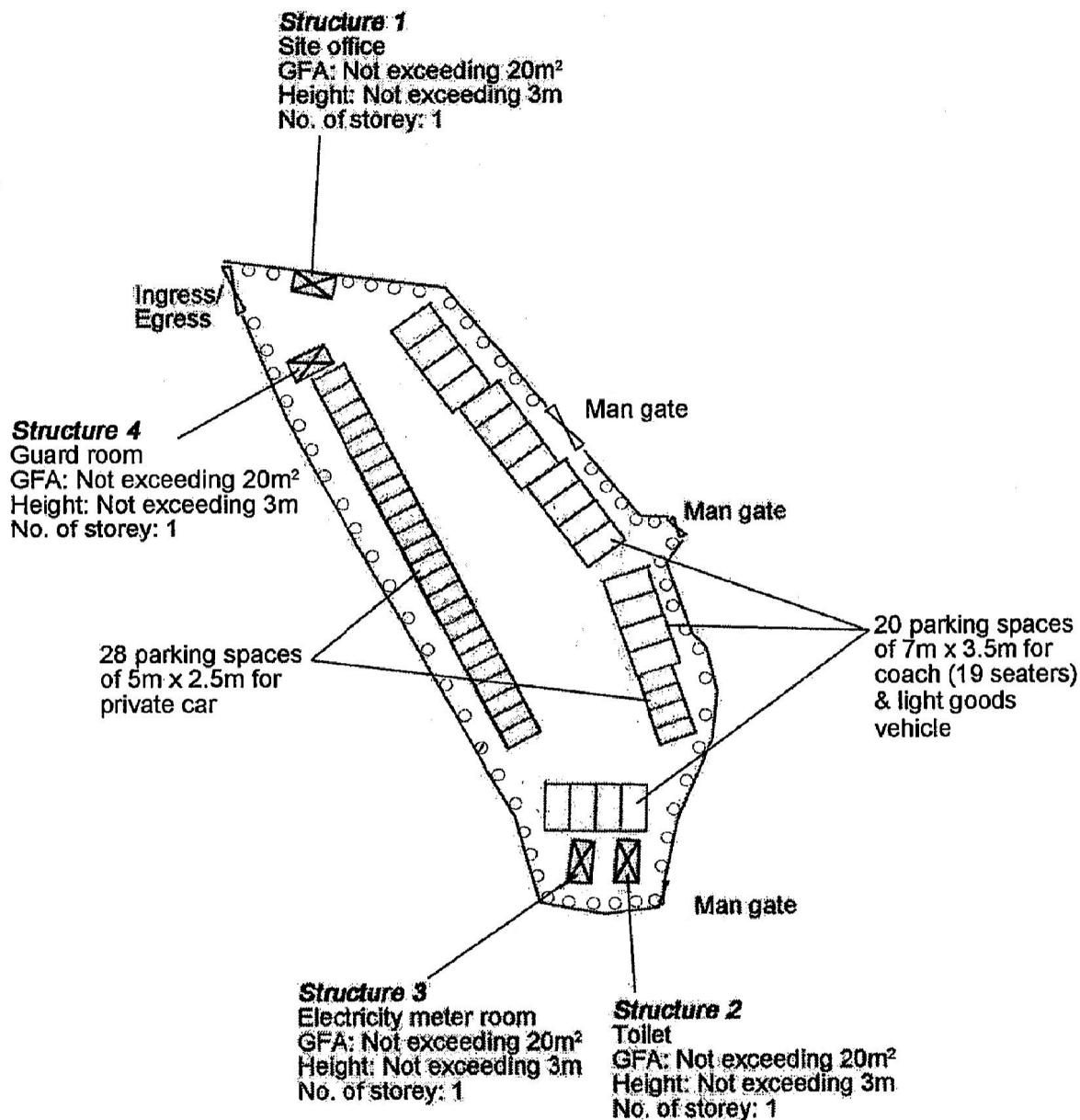
Project 項目名稱: Proposed Temporary Public Vehicle Park for Private Cars, Light Goods Vehicles and 19-seaters Coaches for a Period of 3 Years at Lots 21 RP (Part), 22 RP (Part), 24 RP (Part), 25 (Part), 28 RP (Part) & 29 RP (Part) in D.D. 121, Tong Fong Tsuen, Ping Shan, Yuen Long, N.T.	Drawing Title 圖目: Proposed Layout Plan	Remarks 備註:
	Drawing No. 圖號: Figure 3	Scale 比例: 1:1000

(摘錄自申請人於 17.4.2020 呈交的申請書)
(Extract from Applicant's Submission of 17.4.2020)

參考編號
REFERENCE No.
A/YL-PS/604

繪圖 DRAWING
A-2

Tree	Approximate Height	Spacing
○ Existing <i>Bauhinia blakeana</i> to be preserved	2.75m	4m
⊙ Existing tree to be preserved	10m	NA

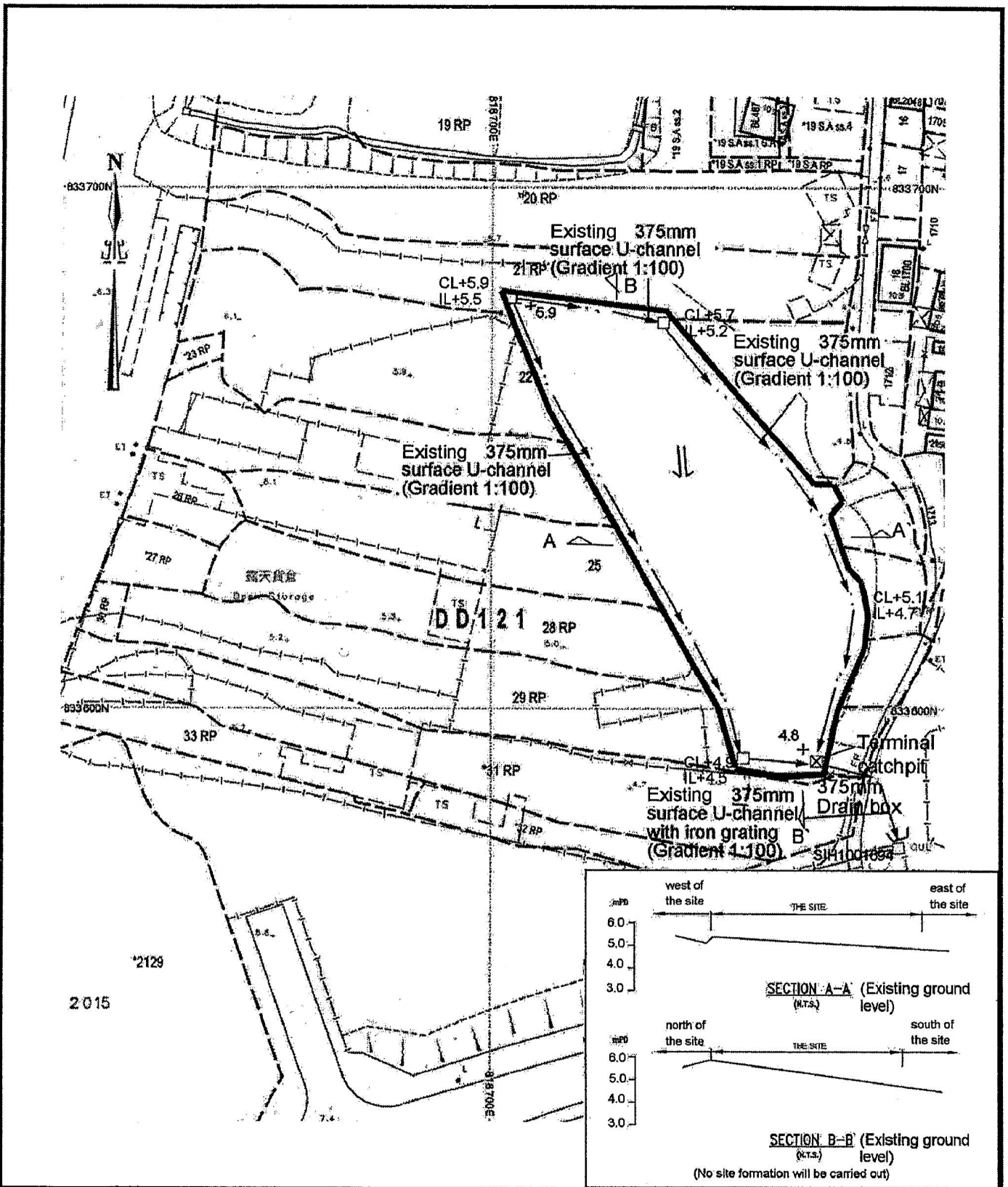


Project 項目名稱: Proposed Temporary Public Vehicle Park for Private Cars, Light Goods Vehicles and 19-seaters Coaches for a Period of 3 Years at Lots 21 RP (Part), 22 RP (Part), 24 RP (Part), 25 (Part), 28 RP (Part) & 29 RP (Part) in D.D. 121, Tong Fong Tsuen, Ping Shan, Yuen Long, N.T.	Drawing Title 圖目: Proposed Landscape & Tree Preservation Plan	Remarks 備註:
	Drawing No. 圖號: Figure 4	Scale 比例: —1:1000—

(摘錄自申請人於 17.4.2020 呈交的申請書)
(Extract from Applicant's Submission of 17.4.2020)

參考編號
REFERENCE No.
A/YL-PS/604

繪圖 DRAWING
A-3



Project 項目名稱:
Proposed Temporary Public Vehicle Park for Private Cars, Light Goods Vehicles and 19-seaters Coaches for a Period of 3 Years at Lots 21 RP (Part), 22 RP (Part), 24 RP (Part), 25 (Part), 28 RP (Part) & 29 RP (Part) in D.D. 121, Tong Fong Tsuen, Ping Shan, Yuen Long, N.T.

Drawing Title 圖目:
As-built Drainage Plan

Drawing No. 圖號:
Figure 5

Remarks 備註:

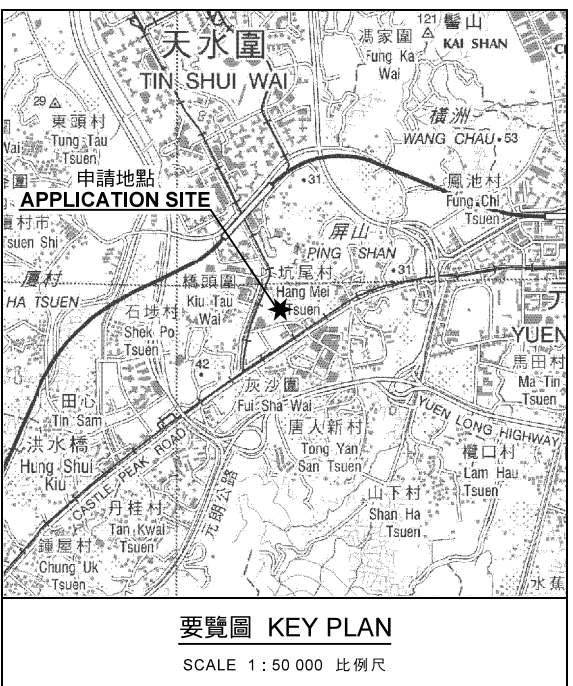
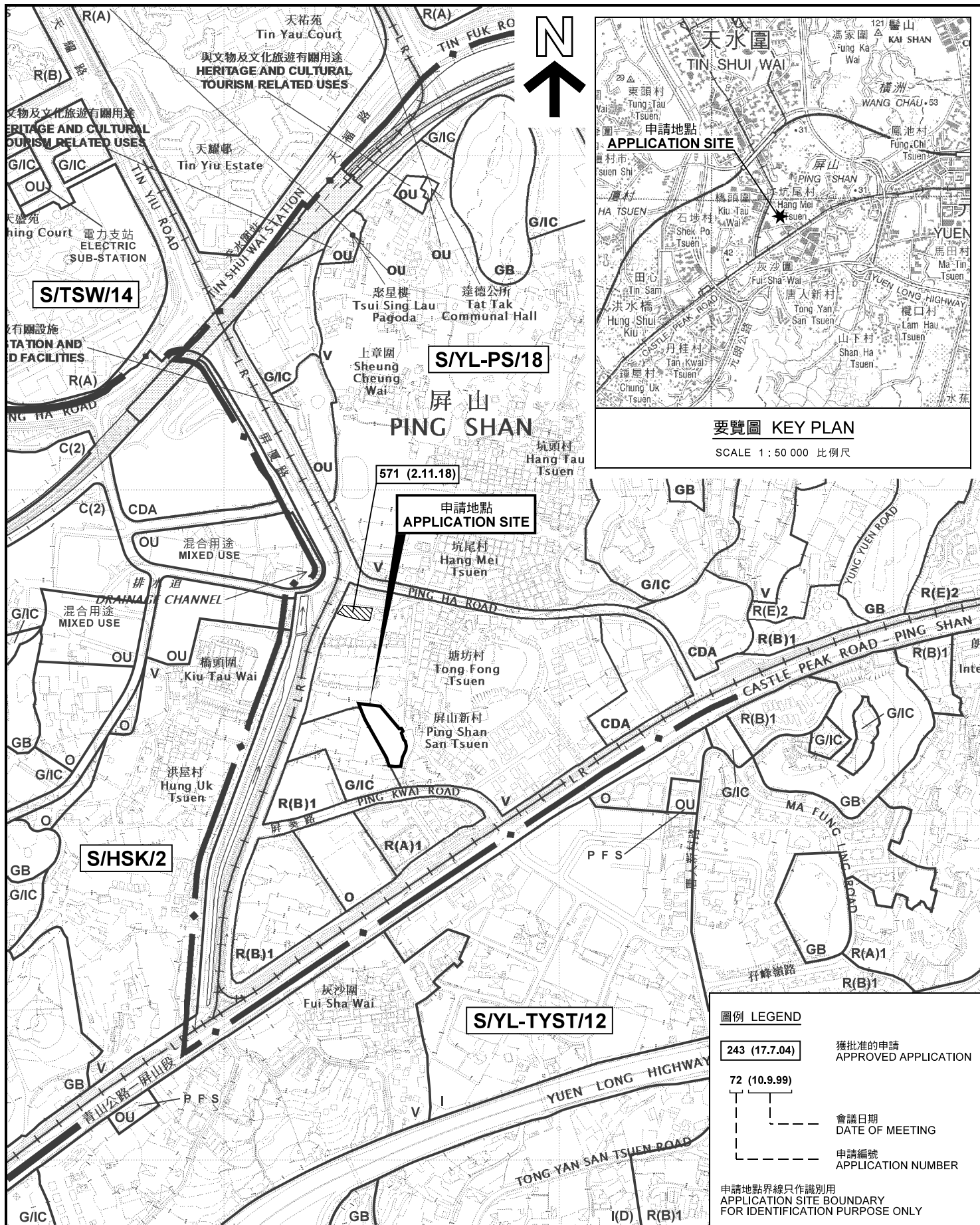
- Proposed catchpit
- \leftarrow Flow of surface runoff
- +5.9 Level (in mPD)
- Proposed catchpit with sand trap

Scale 比例:
—1:1000—

(摘錄自申請人於 17. 4. 2020 提交的申請書)
 (Extract from Applicant's Submission of 17.4.2020)

參考編號
 REFERENCE No.
A/YL-PS/604

繪圖 DRAWING
A-4



圖例 LEGEND

	獲批准的申請 APPROVED APPLICATION
	會議日期 DATE OF MEETING
	申請編號 APPLICATION NUMBER

申請地點界線只作識別用
APPLICATION SITE BOUNDARY
FOR IDENTIFICATION PURPOSE ONLY

本摘要圖於2020年6月3日擬備，所根據的資料為於2018年10月16日核准的分區計劃大綱圖編號 S/YL-PS/18 EXTRACT PLAN PREPARED ON 3.6.2020 BASED ON OUTLINE ZONING PLAN No. S/YL-PS/18 APPROVED ON 16.10.2018


位置圖及同類申請 LOCATION PLAN WITH SIMILAR APPLICATION

臨時公眾停車場(私家車、輕型貨車及19座旅遊車)(為期3年)
 新界元朗屏山塘坊村丈量約份第121約地段第21號餘段(部分)、第22號餘段(部分)、第24號餘段(部分)、第25號(部分)、第28號餘段(部分)及第29號餘段(部分)
 TEMPORARY PUBLIC VEHICLE PARK (PRIVATE CARS, LIGHT GOODS VEHICLES AND 19-SEATERS COACHES) FOR A PERIOD OF 3 YEARS
 LOTS 21 RP (PART), 22 RP (PART), 24 RP (PART), 25 (PART), 28 RP (PART) AND 29 RP (PART) IN D.D.121, TONG FONG TSUEN, PING SHAN, YUEN LONG, NEW TERRITORIES

SCALE 1 : 7 500 比例尺

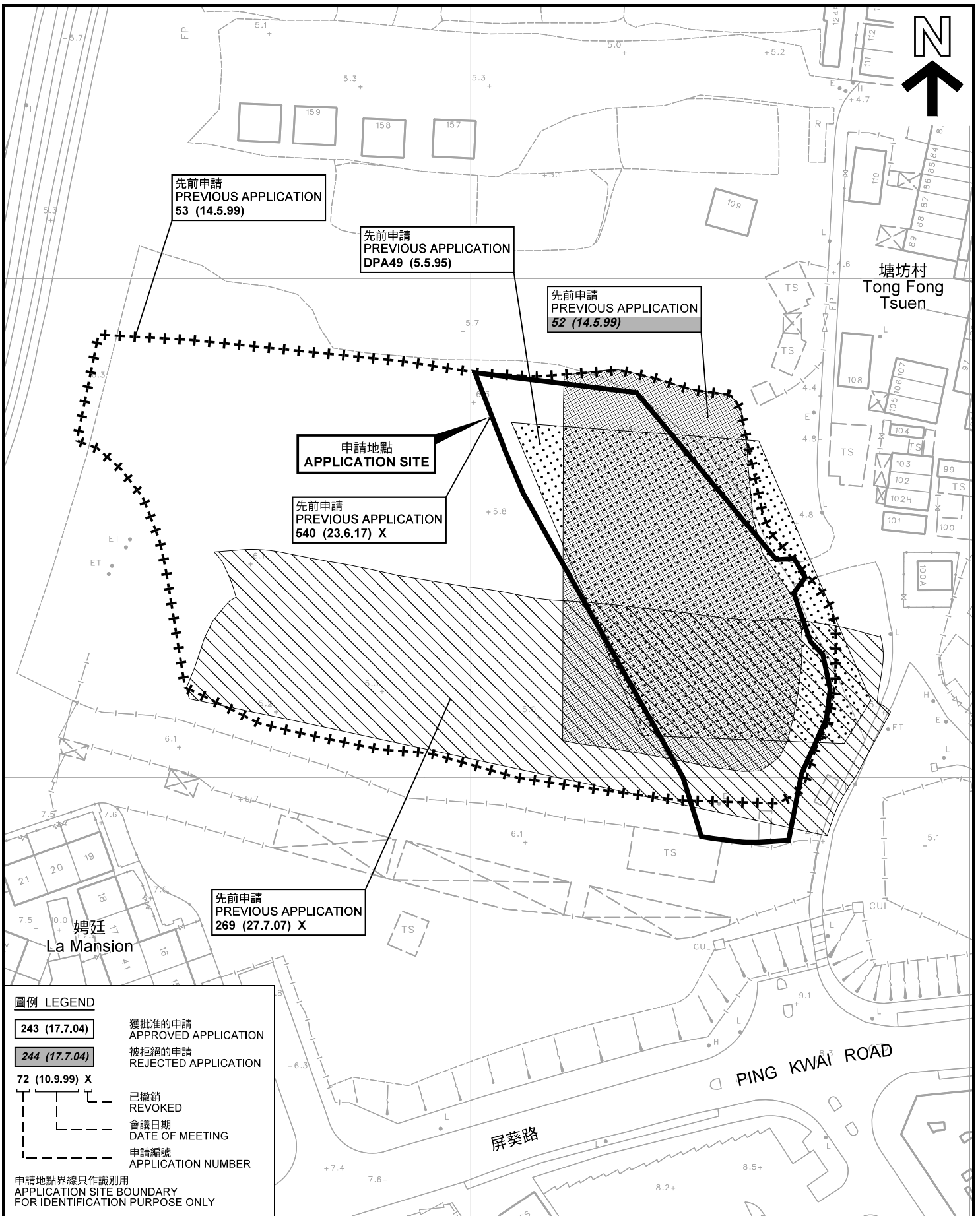
米 100 0 100 200 300 米
METRES

規劃署
PLANNING DEPARTMENT



參考編號
REFERENCE No.
A/YL-PS/604

圖 PLAN
A-1a



圖例 LEGEND

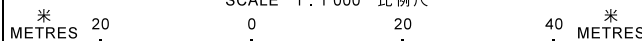
- 243 (17.7.04) 獲批准的申請
APPROVED APPLICATION
- 244 (17.7.04) 被拒絕的申請
REJECTED APPLICATION
- 72 (10.9.99) X
- 已撤銷
REVOKED
- 會議日期
DATE OF MEETING
- 申請編號
APPLICATION NUMBER

申請地點界線只作識別用
APPLICATION SITE BOUNDARY
FOR IDENTIFICATION PURPOSE ONLY

先前申請圖 PREVIOUS APPLICATIONS PLAN

臨時公眾停車場(私家車、輕型貨車及19座旅遊車)(為期3年)
新界元朗屏山塘坊村丈量約份第121約地段第21號餘段(部分)、第22號餘段(部分)、
第24號餘段(部分)、第25號(部分)、第28號餘段(部分)及第29號餘段(部分)
TEMPORARY PUBLIC VEHICLE PARK (PRIVATE CARS, LIGHT GOODS
VEHICLES AND 19-SEATERS COACHES) FOR A PERIOD OF 3 YEARS
LOTS 21 RP (PART), 22 RP (PART), 24 RP (PART),
25 (PART), 28 RP (PART) AND 29 RP (PART) IN D.D.121,
TONG FONG TSUEN, PING SHAN, YUEN LONG, NEW TERRITORIES

SCALE 1 : 1 000 比例尺



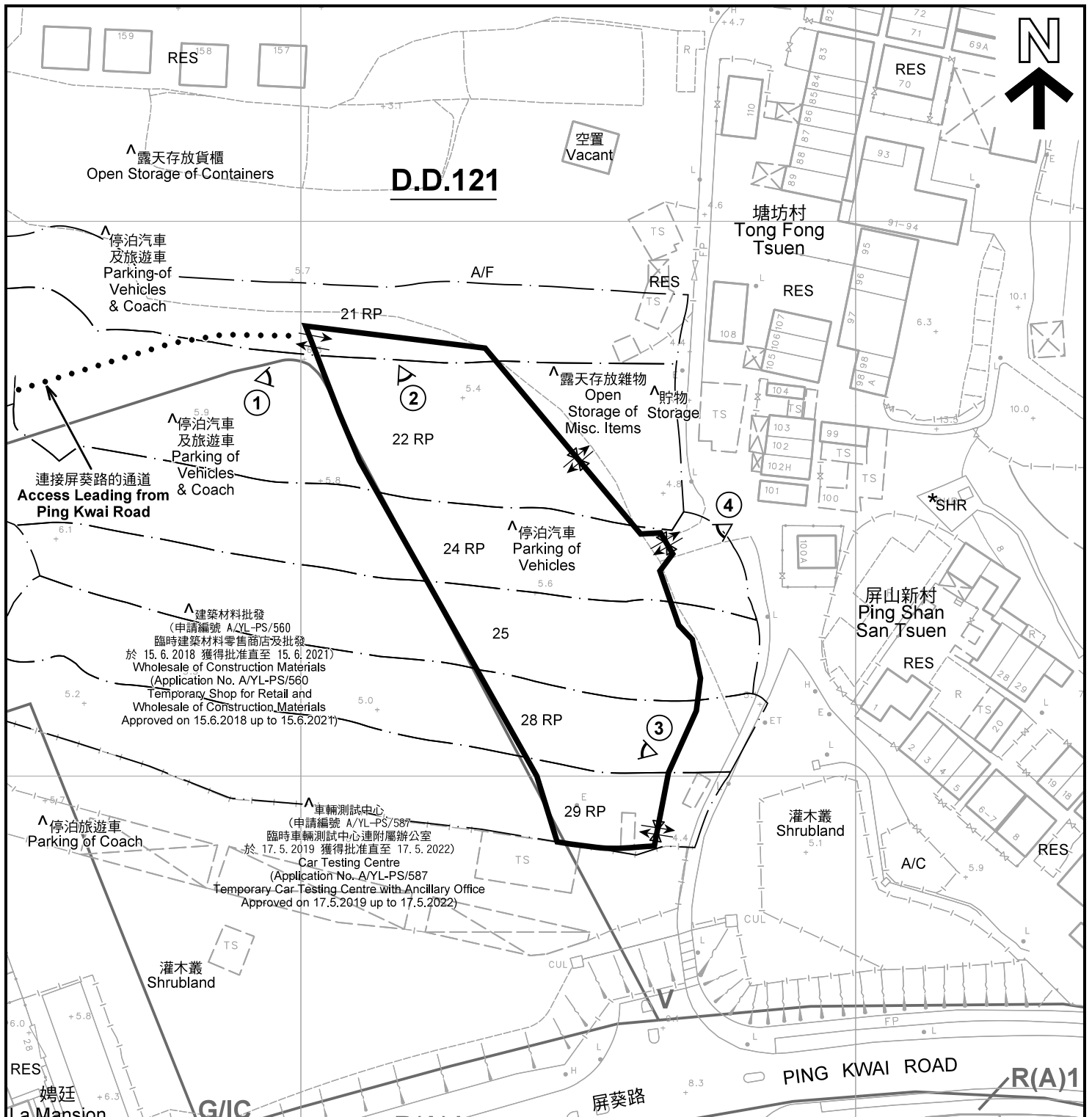
規劃署
**PLANNING
DEPARTMENT**



參考編號
REFERENCE No.
A/YL-PS/604

圖 **PLAN**
A-1b

本摘要圖於2020年5月29日擬備，所根據的資料為測量圖編號 6-NW-8C、8D、13A 及 13B
EXTRACT PLAN PREPARED ON 29.5.2020
BASED ON SURVEY SHEETS No.
6-NW-8C, 8D, 13A & 13B



註釋 Notes :

- (1) 2020年5月26日勘測的土地用途
Land uses shown on this plan are in accordance with the land use survey conducted by the Planning Department on 26.5.2020
- (2) * 土地用途跟1993年6月22日勘測的土地用途一致
Indicates that the use is the same as that revealed by the land use survey conducted by the Planning Department on 22.6.1993
- (3) ^ 土地用途跟1993年6月22日勘測的土地用途有別
Indicates that the use is different from that revealed by the land use survey conducted by the Planning Department on 22.6.1993

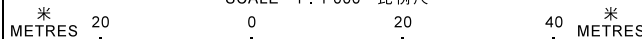
圖例 LEGEND

- 申請地點(界線只作識別用)
APPLICATION SITE (BOUNDARY FOR IDENTIFICATION PURPOSE ONLY)
- R(A)** 住宅(甲類)
RESIDENTIAL (GROUP A)
- R(B)** 住宅(乙類)
RESIDENTIAL (GROUP B)
- V** 鄉村式發展
VILLAGE TYPE DEVELOPMENT
- G/IC** 政府、機構或社區
GOVERNMENT, INSTITUTION OR COMMUNITY
- RES** 住用構築物
RESIDENTIAL STRUCTURES
- A/F** 休耕農地
FALLOW AGRICULTURAL LAND
- A/C** 常耕農地
CULTIVATED AGRICULTURAL LAND
- SHR** 神龕
SHRINE
- 實地照片的觀景點
VIEWING POINT OF SITE PHOTO
- 入口/出口
INGRESS / EGRESS
- 行人入口/出口
PEDESTRIAN INGRESS / EGRESS

平面圖 SITE PLAN

臨時公眾停車場(私家車、輕型貨車及19座旅遊車)(為期3年)
新界元朗屏山塘坊村丈量約份第121約地段第21號餘段(部分)、第22號餘段(部分)、第24號餘段(部分)、第25號(部分)、第28號餘段(部分)及第29號餘段(部分)
TEMPORARY PUBLIC VEHICLE PARK (PRIVATE CARS, LIGHT GOODS VEHICLES AND 19-SEATERS COACHES) FOR A PERIOD OF 3 YEARS
LOTS 21 RP (PART), 22 RP (PART), 24 RP (PART), 25 (PART), 28 RP (PART) AND 29 RP (PART) IN D.D.121, TONG FONG TSUEN, PING SHAN, YUEN LONG, NEW TERRITORIES

SCALE 1 : 1 000 比例尺



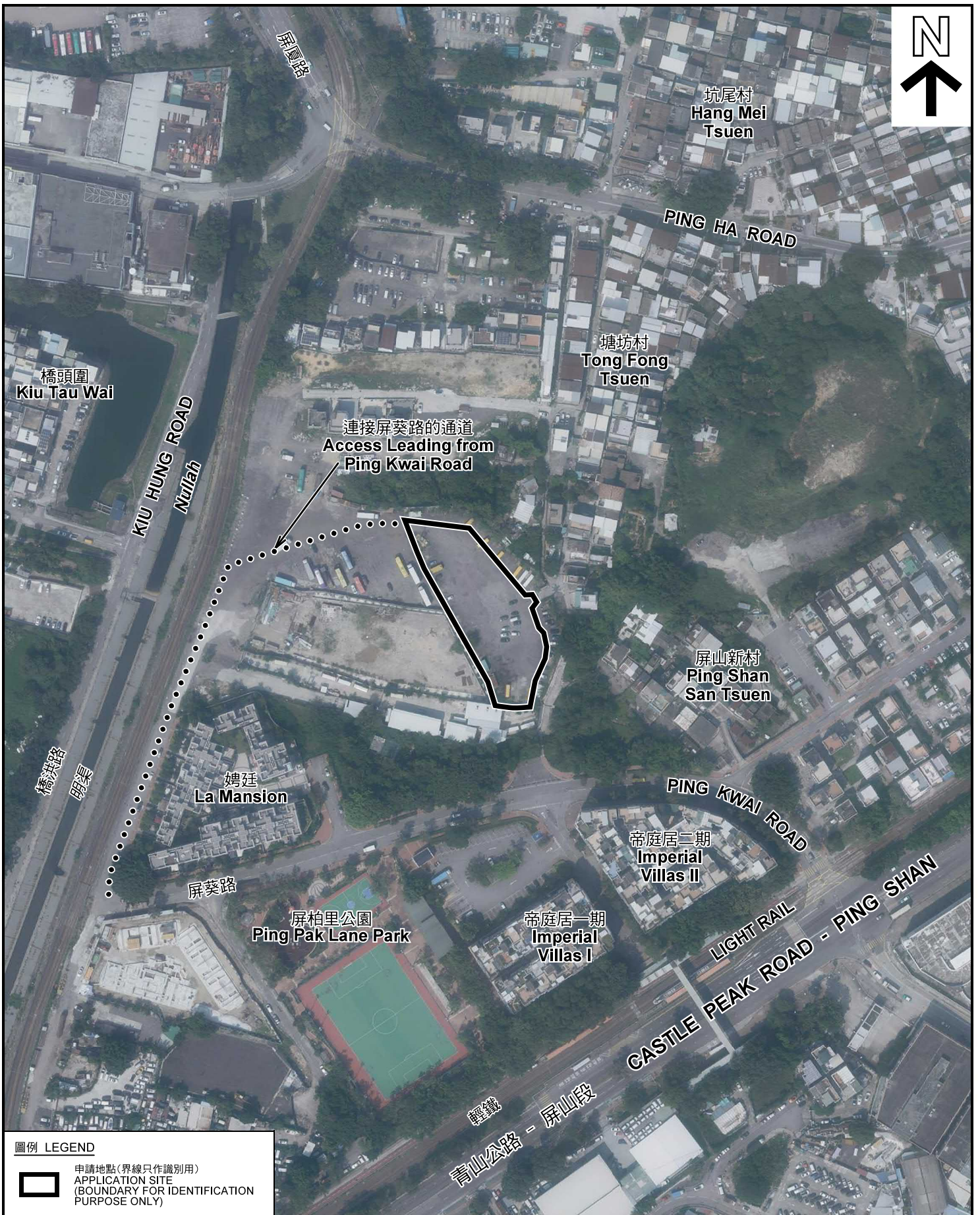
本摘要圖於2020年6月4日擬備，所根據的資料為測量圖編號 6-NW-8C、8D、13A 及 13B
EXTRACT PLAN PREPARED ON 4.6.2020 BASED ON SURVEY SHEETS No. 6-NW-8C, 8D, 13A & 13B

規劃署
PLANNING
DEPARTMENT



參考編號
REFERENCE No.
A/YL-PS/604

圖 PLAN
A-2



圖例 LEGEND



申請地點(界線只作識別用)
APPLICATION SITE
(BOUNDARY FOR IDENTIFICATION
PURPOSE ONLY)

本摘要圖於2020年5月29日擬備，所根據的資料為地政總署於2019年10月18日拍得的航攝照片編號 E073240C
EXTRACT PLAN PREPARED ON 29.5.2020
BASED ON AERIAL PHOTO No.
E073240C TAKEN ON 18.10.2019
BY LANDS DEPARTMENT

航攝照片 AERIAL PHOTO

臨時公眾停車場(私家車、輕型貨車及19座旅遊車)(為期3年)
新界元朗屏山塘坊村丈量約份第121約地段第21號餘段(部分)、第22號餘段(部分)、
第24號餘段(部分)、第25號(部分)、第28號餘段(部分)及第29號餘段(部分)
TEMPORARY PUBLIC VEHICLE PARK (PRIVATE CARS, LIGHT GOODS
VEHICLES AND 19-SEATERS COACHES) FOR A PERIOD OF 3 YEARS
LOTS 21 RP (PART), 22 RP (PART), 24 RP (PART),
25 (PART), 28 RP (PART) AND 29 RP (PART) IN D.D.121,
TONG FONG TSUEN, PING SHAN, YUEN LONG, NEW TERRITORIES

規劃署
PLANNING
DEPARTMENT



參考編號
REFERENCE No.
A/YL-PS/604

圖 PLAN
A-3

申請地點
APPLICATION SITE



1
連接屏葵路的通道
Access Leading from
Ping Kwai Road



2
申請地點
APPLICATION SITE



3
申請地點
APPLICATION SITE



4
申請地點
APPLICATION SITE
行人入口/出口
Pedestrian Ingress / Egress

實地照片 SITE PHOTOS

臨時公眾停車場(私家車、輕型貨車及19座旅遊車)(為期3年)
新界元朗屏山塘坊村丈量約份第121約地段第21號餘段(部分)、第22號餘段(部分)、
第24號餘段(部分)、第25號(部分)、第28號餘段(部分)及第29號餘段(部分)
TEMPORARY PUBLIC VEHICLE PARK (PRIVATE CARS, LIGHT GOODS
VEHICLES AND 19-SEATERS COACHES) FOR A PERIOD OF 3 YEARS
LOTS 21 RP (PART), 22 RP (PART), 24 RP (PART),
25 (PART), 28 RP (PART) AND 29 RP (PART) IN D.D.121,
TONG FONG TSUEN, PING SHAN, YUEN LONG, NEW TERRITORIES

規劃署
PLANNING
DEPARTMENT



參考編號
REFERENCE No.
A/YL-PS/604

圖 PLAN
A-4

本圖於2020年5月29日擬備，所根據的資料為攝於2020年5月26日的實地照片
PLAN PREPARED ON 29.5.2020
BASED ON SITE PHOTOS TAKEN
ON 26.5.2020