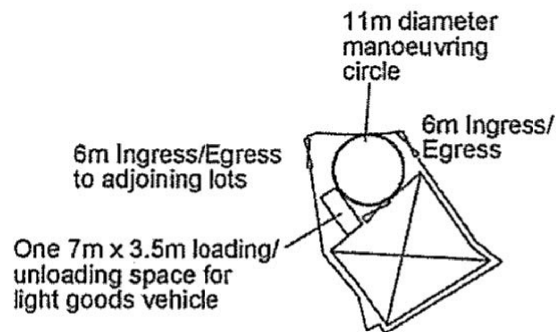


<p>Project Title: Proposed Temporary Warehouse for Storage of Construction Materials for a Period of 3 Years at Lot 864 S.A&amp;S.B (Part) in D.D. 119, Yuen Long, N.T</p>	<p>Drawing Title: Extract from OZP No. S/YL-TYST/12</p>	<p>Remarks: ●●● Vehicular access leading from Kung Um Road</p>
	<p>Drawing No.: Figure 2</p>	<p>Scale: 1:7500</p>

(摘錄自申請人於 9.10.2018 提交的申請書)  
(Extract from Applicant's Submission of 9.10.2018)

<p>參考編號 REFERENCE No. AYL-TYST/927</p>	<p>繪圖 DRAWING A-1</p>
--	---------------------------

N



**Structure 1**  
Warehouse for storage of construction material  
GFA: Not exceeding 225m<sup>2</sup>  
Height: Not exceeding 8.5m  
No. of storey: 1

Project 項目名稱: Proposed Temporary Warehouse for Storage of Construction Materials for a Period of 3 Years at Lot 864 S.A&S.B (Part) in D.D. 119, Yuen Long, N.T	Drawing Title 圖目: Proposed Layout Plan	Remarks 備註:
	Drawing No. 圖號: Figure 3	Scale 比例: 1:1000

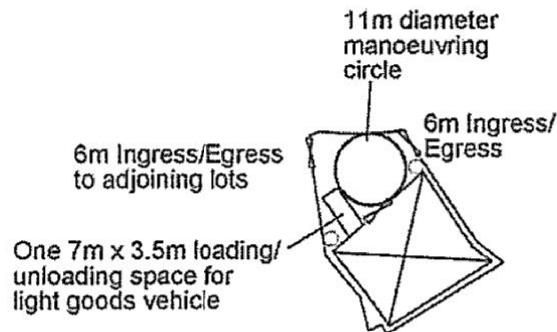
(摘錄自申請人於 9. 10. 2018 提交的申請書)  
(Extract from Applicant's Submission of 9.10.2018)

參考編號 REFERENCE No. AYL-TYST/927	繪圖 DRAWING A-2
---------------------------------------	-------------------

N



Tree	Approximate Height	Spacing
○ Proposed <i>Bauhinia blakeana</i>	2.75m	4m

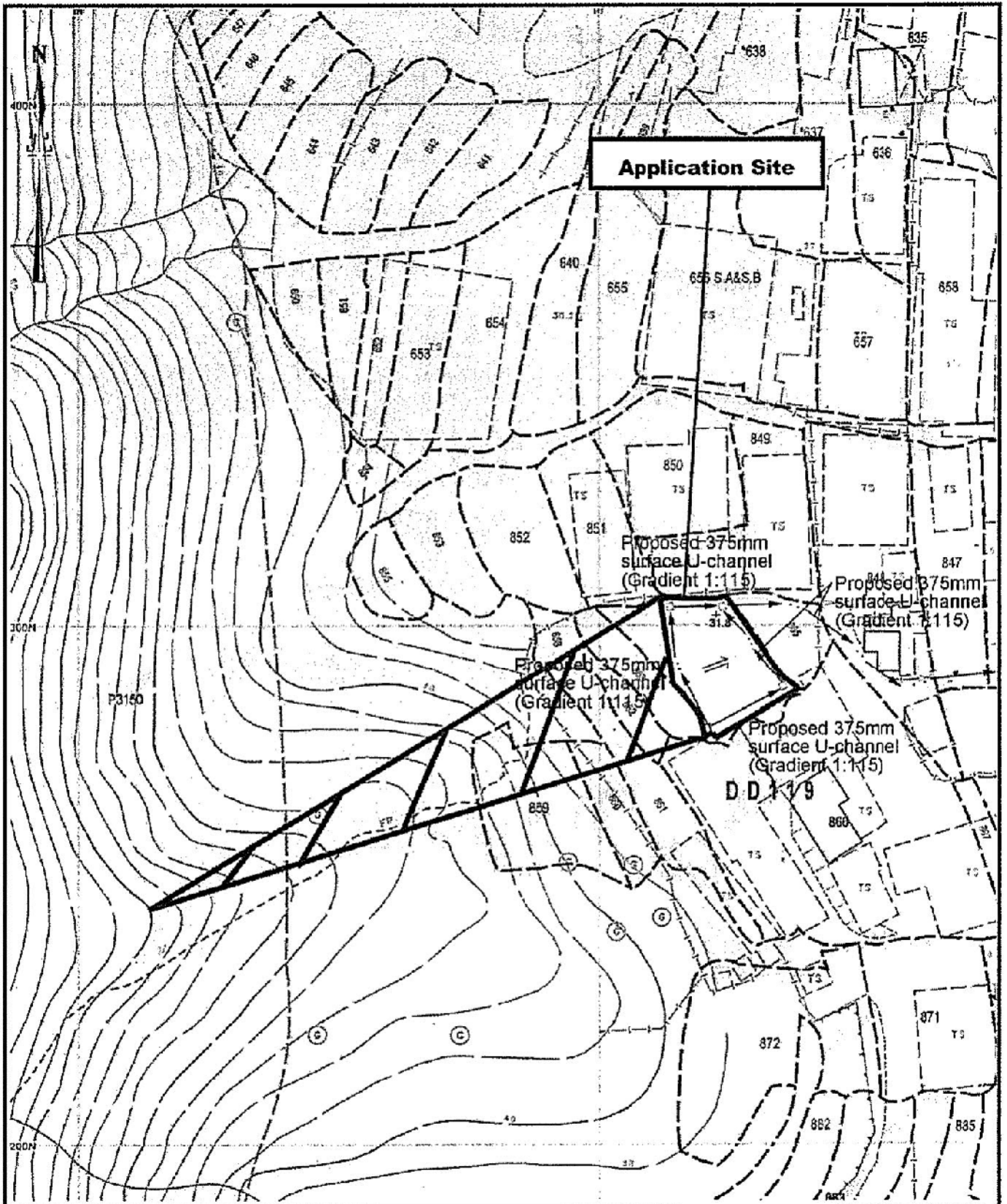


**Structure 1**  
 Warehouse for storage of construction material  
 GFA: Not exceeding 225m<sup>2</sup>  
 Height: Not exceeding 8.5m  
 No. of storey: 1

Project 項目名稱: Proposed Temporary Warehouse for Storage of Construction Materials for a Period of 3 Years at Lot 864 S.A&S.B (Part) in D.D. 119, Yuen Long, N.T	Drawing Title 圖名: Proposed Landscape Plan	Remarks 備註:
	Drawing No. 圖號: Figure 4	Scale 比例: 1:1000

(摘錄自申請人於 9. 10. 2018 提交的申請書)  
 (Extract from Applicant's Submission of 9.10.2018)

參考編號 REFERENCE No. AYL-TYST/927	繪圖 DRAWING A-3
---------------------------------------	-------------------

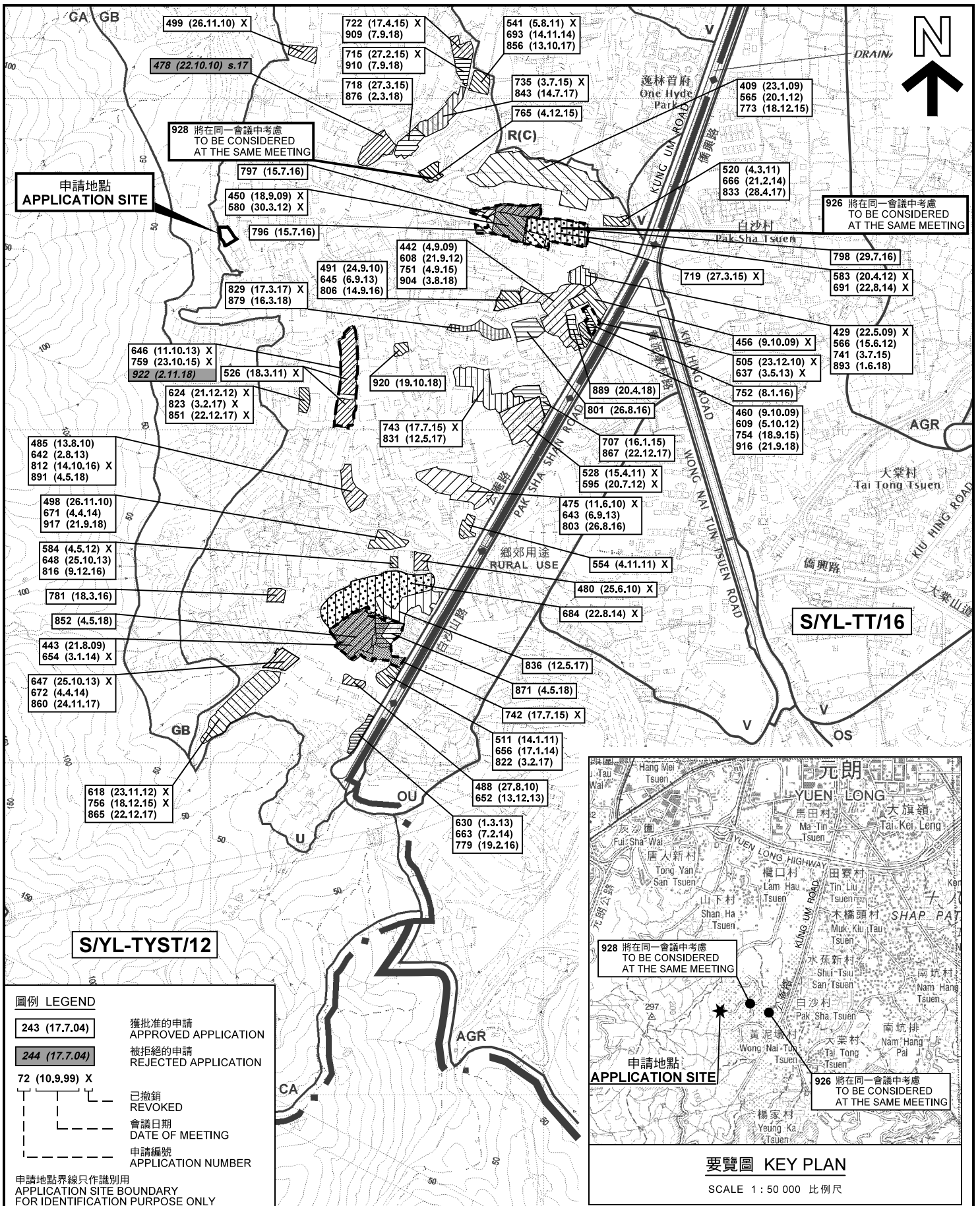


<p>Project 項目名稱: Proposed Temporary Warehouse for Storage of Construction Materials for a Period of 3 Years at Lot 864 S.A&amp;S.B (Part) in D.D. 119, Yuen Long, N.T</p>	<p>Drawing Title 圖目: Proposed Drainage Plan</p> <p>Drawing No. 圖號: Figure 5</p>	<p>Remarks 備註:</p> <ul style="list-style-type: none"> <li><input type="checkbox"/> Proposed catchpit</li> <li> Flow of surface runoff</li> <li>+31.8 Level (in mPD)</li> <li> External catchment</li> </ul> <p>Scale 比例: 1:1000</p>
---	---	---

(摘錄自申請人於 9. 10. 2018 呈交的申請書)  
(Extract from Applicant's Submission of 9.10.2018)

<p>參考編號 REFERENCE No. AYL-TYST/927</p>	<p>繪圖 DRAWING A-4</p>
--	---------------------------





申請地點  
APPLICATION SITE

928 將在同一會議中考慮  
TO BE CONSIDERED  
AT THE SAME MEETING

926 將在同一會議中考慮  
TO BE CONSIDERED  
AT THE SAME MEETING

928 將在同一會議中考慮  
TO BE CONSIDERED  
AT THE SAME MEETING

926 將在同一會議中考慮  
TO BE CONSIDERED  
AT THE SAME MEETING

本摘要圖於2018年11月27日擬備，  
所根據的資料為於2018年9月4日  
核准的分區計劃大綱圖編號 S/YL-TYST/12  
EXTRACT PLAN PREPARED ON 27.11.2018  
BASED ON OUTLINE ZONING PLAN No.  
S/YL-TYST/12 APPROVED ON 4.9.2018

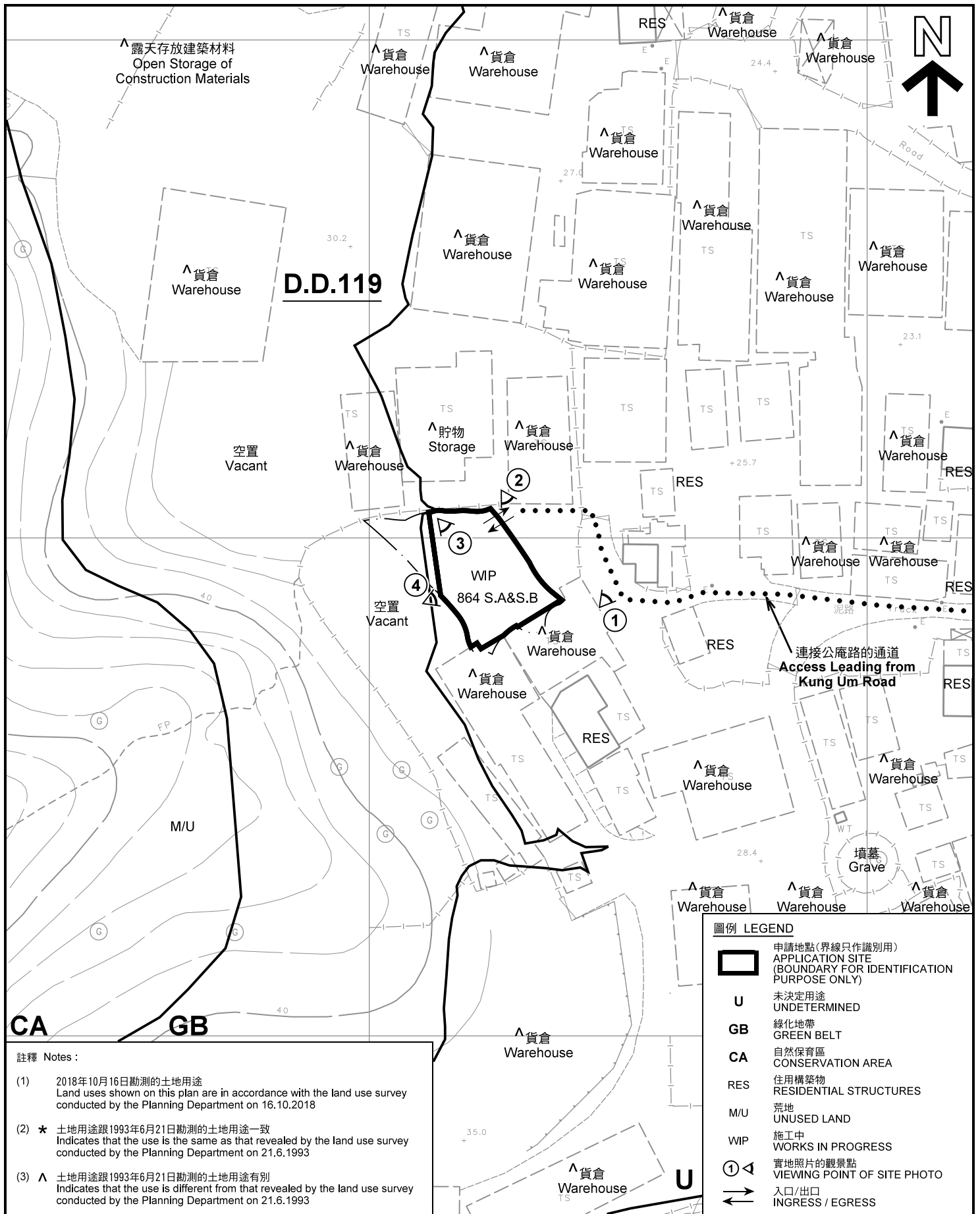
SCALE 1 : 7 500 比例尺  
米 100 0 100 200 300 米  
METRES

規劃署  
PLANNING  
DEPARTMENT



參考編號  
REFERENCE No.  
AYL-TYST/927

圖 PLAN  
A-1



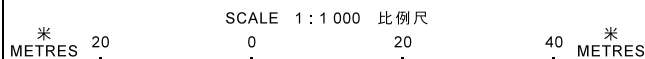
註釋 Notes :

- (1) 2018年10月16日勘測的土地用途  
Land uses shown on this plan are in accordance with the land use survey conducted by the Planning Department on 16.10.2018
- (2) \* 土地用途跟1993年6月21日勘測的土地用途一致  
Indicates that the use is the same as that revealed by the land use survey conducted by the Planning Department on 21.6.1993
- (3) ^ 土地用途跟1993年6月21日勘測的土地用途有別  
Indicates that the use is different from that revealed by the land use survey conducted by the Planning Department on 21.6.1993

平面圖 SITE PLAN

擬議臨時貨倉存放建築材料 (為期3年)  
元朗丈量約份第119約地段第864號A分段及B分段(部分)  
PROPOSED TEMPORARY WAREHOUSE FOR STORAGE OF  
CONSTRUCTION MATERIAL FOR A PERIOD OF 3 YEARS  
LOT 864 S.A&S.B (PART) IN D.D.119, YUEN LONG

本摘要圖於2018年11月26日擬備，所根據的資料為測量圖編號 6-NW-18D、19C、23B 及 24A  
EXTRACT PLAN PREPARED ON 26.11.2018  
BASED ON SURVEY SHEETS No. 6-NW-18D, 19C, 23B & 24A



圖例 LEGEND

- 申請地點(界線只作識別用)  
APPLICATION SITE (BOUNDARY FOR IDENTIFICATION PURPOSE ONLY)
- U 未決定用途  
UNDETERMINED
- GB 綠化地帶  
GREEN BELT
- CA 自然保育區  
CONSERVATION AREA
- RES 住用構築物  
RESIDENTIAL STRUCTURES
- M/U 荒地  
UNUSED LAND
- WIP 施工中  
WORKS IN PROGRESS
- ① ◁ 實地照片的觀景點  
VIEWING POINT OF SITE PHOTO
- ↔ 入口/出口  
INGRESS / EGRESS

規劃署  
PLANNING  
DEPARTMENT



參考編號  
REFERENCE No.  
AYL-TYST/927

圖 PLAN  
A-2





圖例 LEGEND



申請地點(界線只作識別用)  
APPLICATION SITE  
(BOUNDARY FOR IDENTIFICATION  
PURPOSE ONLY)

本摘要圖於2018年11月14日擬備，所根據的資料為地政總署於2018年3月22日拍得的航攝照片編號 E036657C  
EXTRACT PLAN PREPARED ON 14.11.2018  
BASED ON AERIAL PHOTO No.  
E036657C TAKEN ON 22.3.2018  
BY LANDS DEPARTMENT

航攝照片 AERIAL PHOTO

擬議臨時貨倉存放建築材料 (為期3年)  
元朗丈量約份第119約地段第864號A分段及B分段(部分)  
PROPOSED TEMPORARY WAREHOUSE FOR STORAGE OF  
CONSTRUCTION MATERIAL FOR A PERIOD OF 3 YEARS  
LOT 864 S.A&S.B (PART) IN D.D.119, YUEN LONG

規劃署  
PLANNING  
DEPARTMENT



參考編號  
REFERENCE No.  
AYL-TYST/927

圖 PLAN  
A-3





申請地點界線只作識別用 APPLICATION SITE BOUNDARY FOR IDENTIFICATION PURPOSE ONLY

本圖於2018年11月14日擬備，所根據的資料為攝於2018年10月16日的實地照片  
 PLAN PREPARED ON 14.11.2018  
 BASED ON SITE PHOTOS  
 TAKEN ON 16.10.2018

**實地照片 SITE PHOTOS**

擬議臨時貨倉存放建築材料（為期3年）  
 元朗丈量約份第119約地段第864號A分段及B分段（部分）  
 PROPOSED TEMPORARY WAREHOUSE FOR STORAGE OF  
 CONSTRUCTION MATERIAL FOR A PERIOD OF 3 YEARS  
 LOT 864 S.A&S.B (PART) IN D.D.119, YUEN LONG

規劃署  
 PLANNING  
 DEPARTMENT



參考編號  
 REFERENCE No.  
 A/YL-TYST/927

圖 PLAN  
 A-4