

Project 項目名稱:

Proposed Temporary Warehouse for Storage of Construction Material for a Period of 3 Years at Lot 777 (Part) in D.D. 119, Pak Sha Tsuen, Yuen Long, N.T.

Drawing Title 圖目:

Location Plan

Remarks 備註:

●●● Vehicular Access Leading to Application Site from Kung Um Road

Drawing No. 圖號:

Figure 2

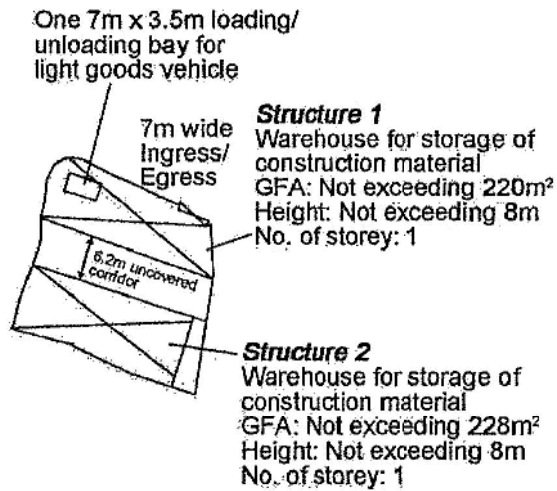
Scale 比例:

1:7500

(摘錄自申請人於 16.9.2019 呈交的申請書)
(Extract from Applicant's Submission of 16.9.2019)

參考編號
REFERENCE No.
AYL-TYST/987

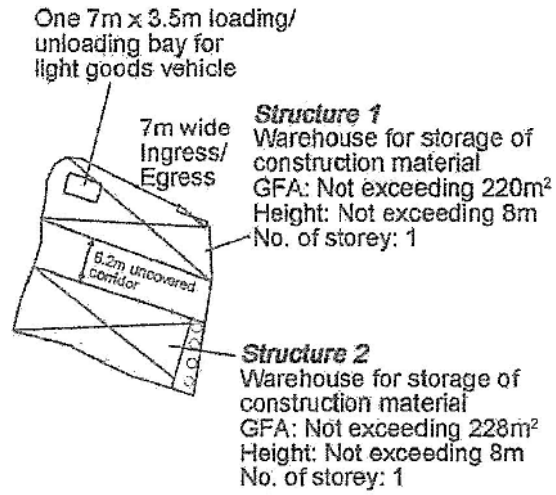
繪圖 DRAWING
A-1



Project 項目名稱: Proposed Temporary Warehouse for Storage of Construction Material for a Period of 3 Years at Lot 777 (Part) in D.D. 119, Pak Sha Tsuen, Yuen Long, N.T.	Drawing Title 圖目: Proposed Layout Plan	Remarks 備註:
	Drawing No. 圖號: Figure 3	Scale 比例: 1:1000

(摘錄自申請人於 16. 9. 2019 提交的申請書)
(Extract from Applicant's Submission of 16.9.2019)

參考編號 REFERENCE No. AYL-TYST/987	繪圖 DRAWING A-2
---------------------------------------	-------------------

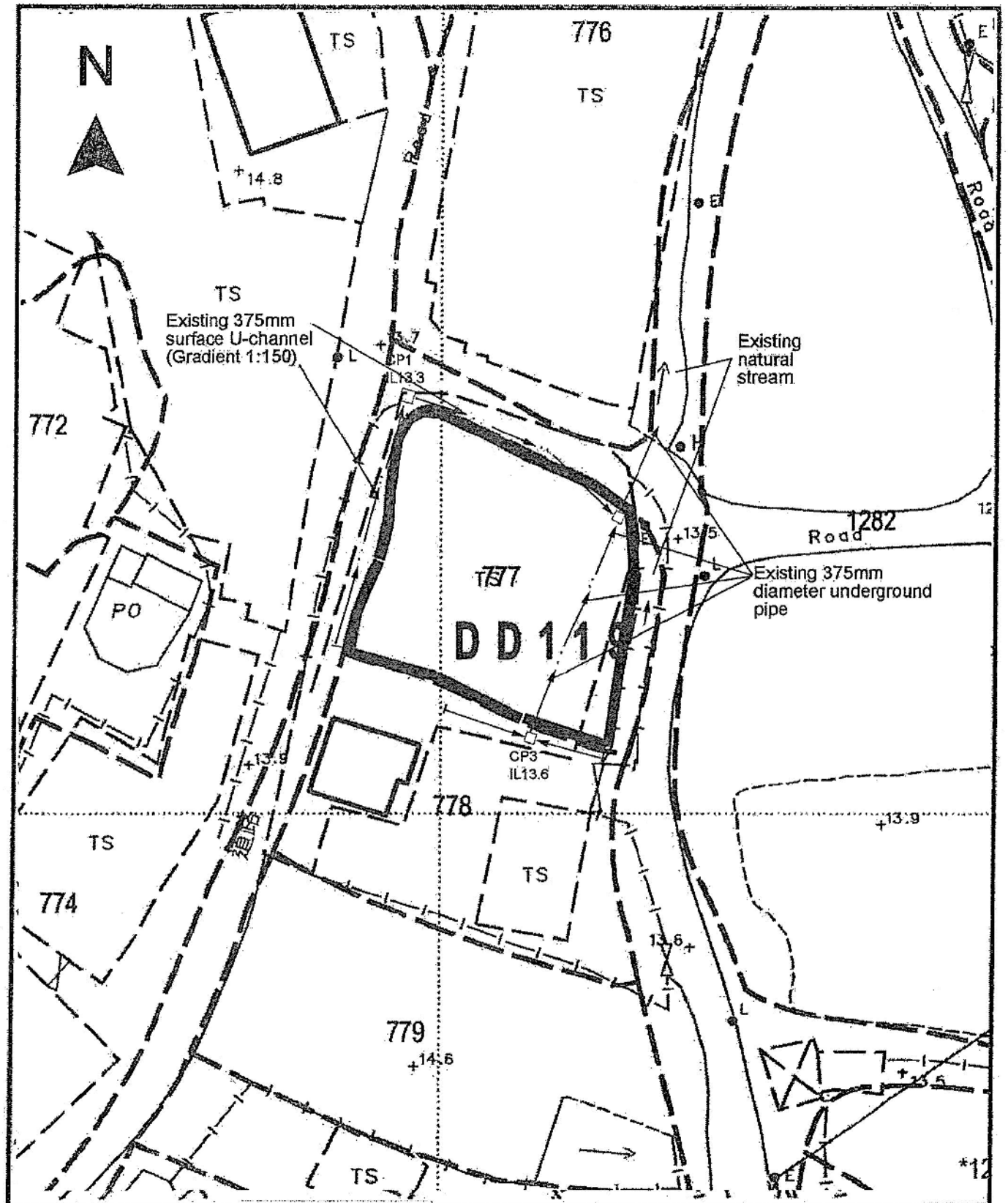


○ Existing <i>Ficus microcarpa</i>	4.5m	3m

Project 項目名稱: Proposed Temporary Warehouse for Storage of Construction Material for a Period of 3 Years at Lot 777 (Part) in D.D. 119, Pak Sha Tsuen, Yuen Long, N.T.	Drawing Title 圖名: Proposed Landscape & Tree Preservation Plan	Remarks 附註:
	Drawing No. 圖號: Figure 4	Scale 比例: 1:1000

(摘錄自申請人於 16. 9. 2019 提交的申請書)
(Extract from Applicant's Submission of 16.9.2019)

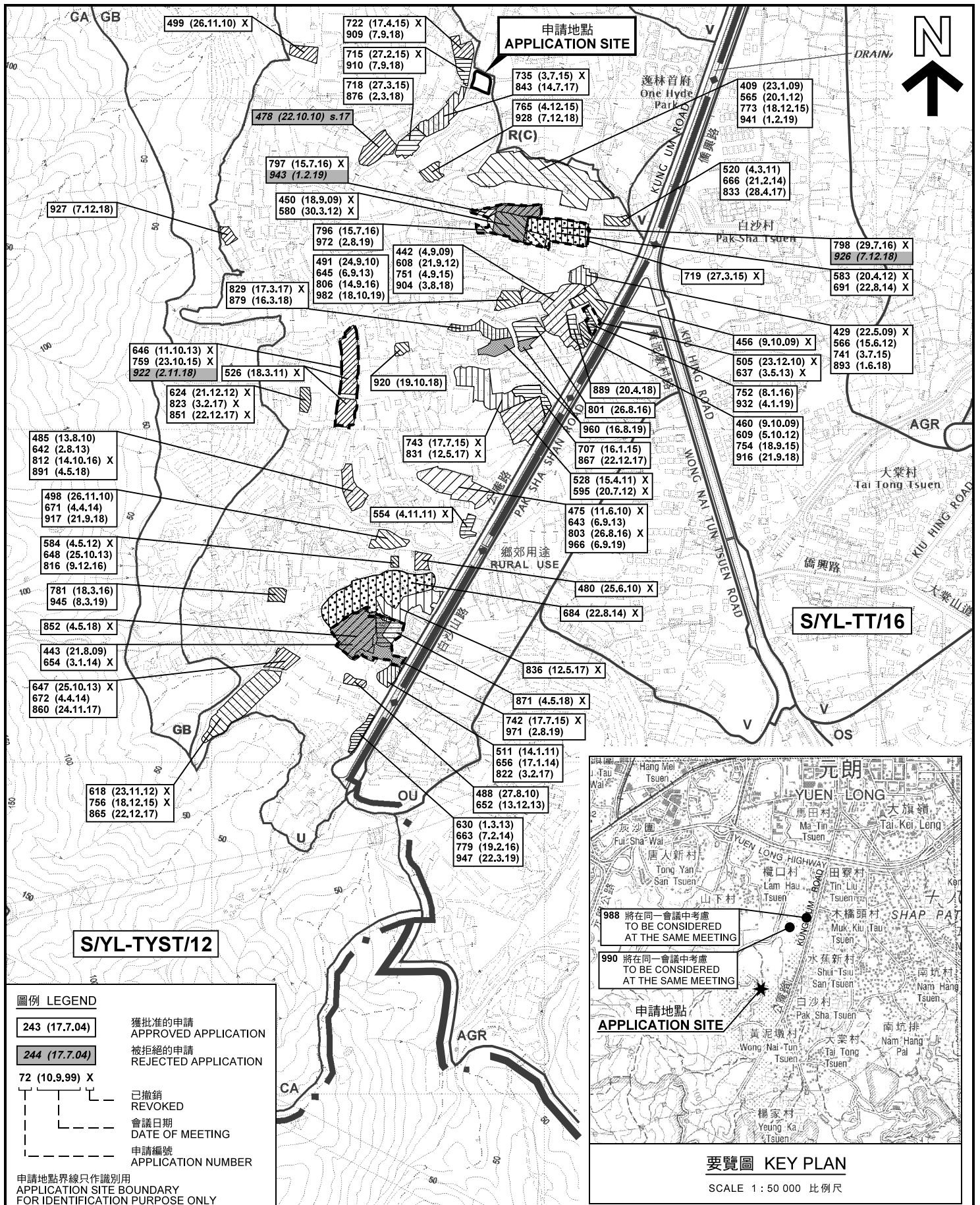
參考編號 REFERENCE No. AYL-TYST/987	繪圖 DRAWING A-3
---------------------------------------	-------------------



<p>Project 項目名稱: Proposed Temporary Warehouse for Storage of Construction Material for a Period of 3 Years at Lot 777 (Part) in D.D. 119, Pak Sha Tsuen, Yuen Long, N.T.</p>	<p>Drawing Title 圖名: As-built Drainage Plan</p>	<p>Remarks 備註: <input type="checkbox"/> Existing catchpit Flow of Surface Runoff IL Inverted level (in mPD) </p>
	<p>Drawing No. 圖號: Figure 5</p>	<p>Scale 比例: 1:500</p>

(摘錄自申請人於 16. 9. 2019 呈交的申請書)
(Extract from Applicant's Submission of 16.9.2019)

<p>參考編號 REFERENCE No. AYL-TYST/987</p>	<p>繪圖 DRAWING A-4</p>
--	---------------------------



本摘要圖於2019年11月6日擬備，
所根據的資料為於2018年9月4日
核准的分區計劃大綱圖編號 S/YL-TYST/12
EXTRACT PLAN PREPARED ON 6.11.2019
BASED ON OUTLINE ZONING PLAN No.
S/YL-TYST/12 APPROVED ON 4.9.2018

擬議臨時貨倉存放建築材料 (為期3年)
元朗白沙村丈量約份第119約地段第777號(部分)
PROPOSED TEMPORARY WAREHOUSE FOR STORAGE OF
CONSTRUCTION MATERIAL FOR A PERIOD OF 3 YEARS
LOT 777 (PART) IN D.D.119, PAK SHA TSUEN, YUEN LONG

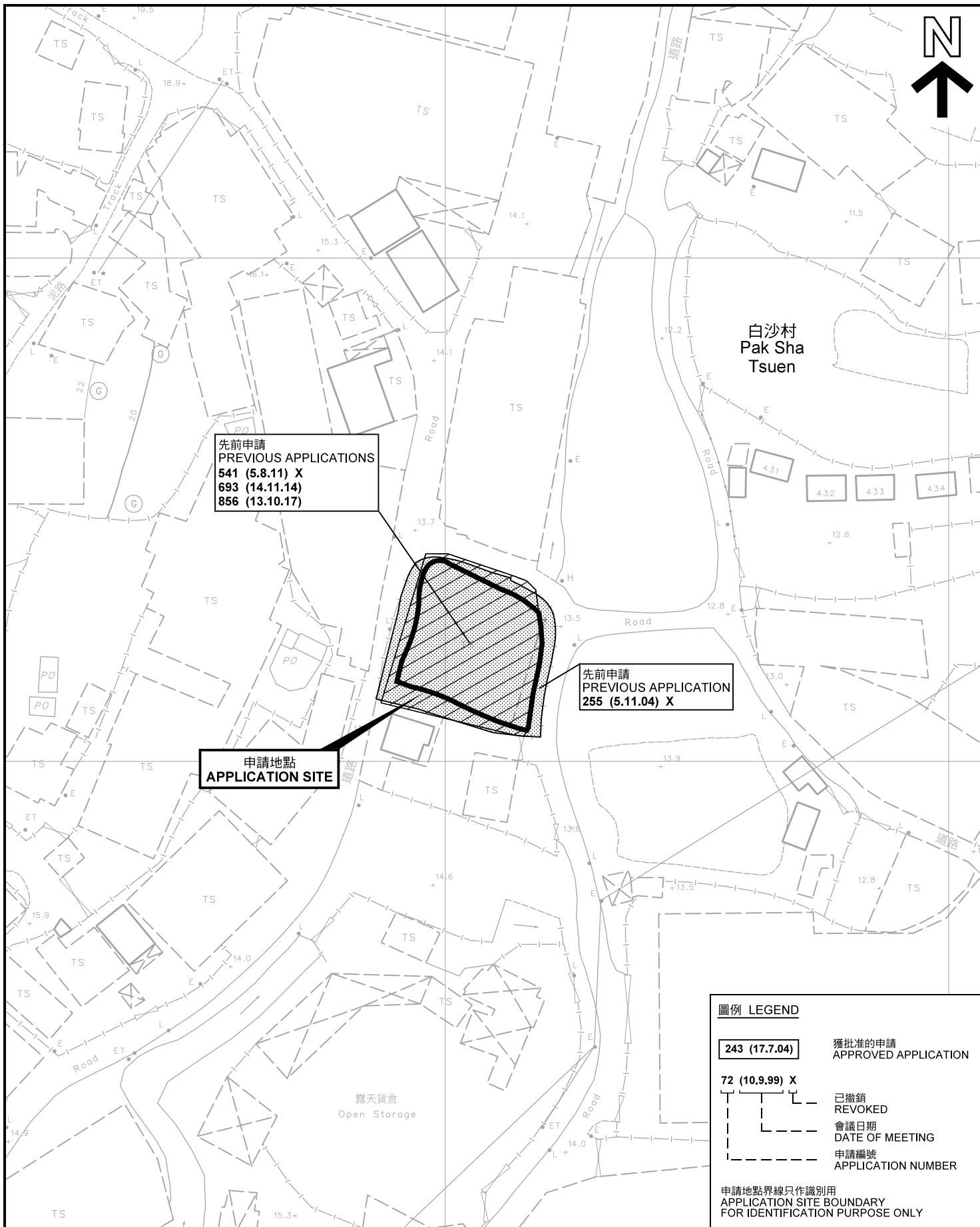
SCALE 1 : 7 500 比例尺

米 100 0 100 200 300 米
METRES

規劃署
PLANNING
DEPARTMENT

參考編號
REFERENCE No.
A/YL-TYST/987

圖 PLAN
A-1a



先前申請
 PREVIOUS APPLICATIONS
 541 (5.8.11) X
 693 (14.11.14)
 856 (13.10.17)

先前申請
 PREVIOUS APPLICATION
 255 (5.11.04) X

申請地點
 APPLICATION SITE

圖例 LEGEND

- 243 (17.7.04) 獲批准的申請
 APPROVED APPLICATION
- 72 (10.9.99) X 已撤銷
 REVOKED
- 會議日期
 DATE OF MEETING
- 申請編號
 APPLICATION NUMBER

申請地點界線只作識別用
 APPLICATION SITE BOUNDARY
 FOR IDENTIFICATION PURPOSE ONLY

先前申請圖 PREVIOUS APPLICATIONS PLAN

擬議臨時貨倉存放建築材料 (為期3年)
 元朗白沙村丈量約份第119約地段第777號(部分)
 PROPOSED TEMPORARY WAREHOUSE FOR STORAGE OF
 CONSTRUCTION MATERIAL FOR A PERIOD OF 3 YEARS
 LOT 777 (PART) IN D.D.119, PAK SHA TSUEN, YUEN LONG

SCALE 1:1 000 比例尺

米 METRES 20 0 20 40 米 METRES

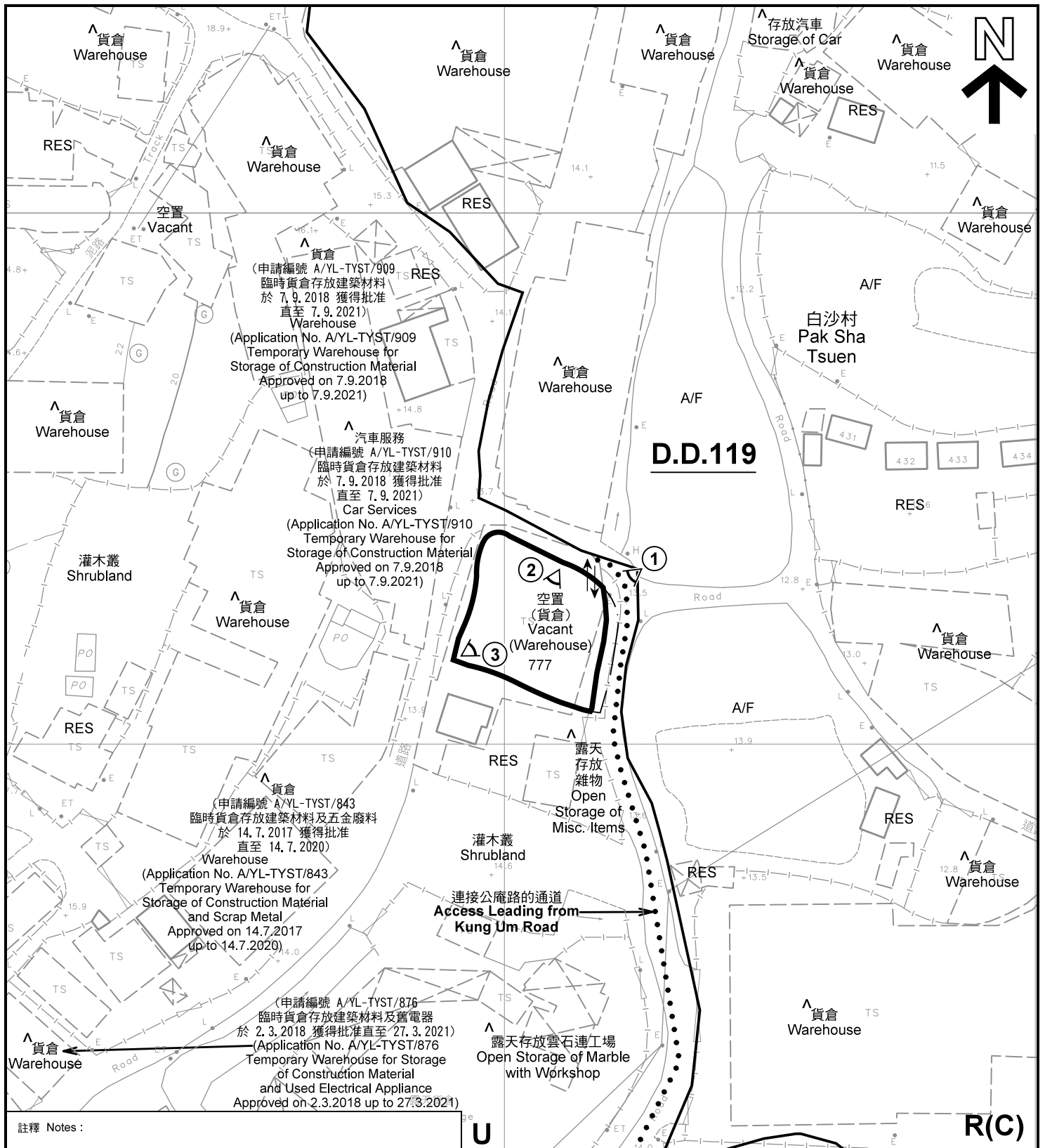
本摘要圖於2019年10月24日擬備，所根據的
 資料為測量圖編號 6-NW-19C
 EXTRACT PLAN PREPARED ON 24.10.2019
 BASED ON SURVEY SHEET No. 6-NW-19C

規劃署
 PLANNING
 DEPARTMENT



參考編號
 REFERENCE No.
 A/YL-TYST/987

圖 PLAN
 A-1b



註釋 Notes:

- (1) 2019年9月24日勘測的土地用途
Land uses shown on this plan are in accordance with the land use survey conducted by the Planning Department on 24.9.2019
- (2) * 土地用途跟1993年6月21日及1993年7月5日勘測的土地用途一致
Indicates that the use is the same as that revealed by the land use survey conducted by the Planning Department on 21.6.1993 & 5.7.1993
- (3) ^ 土地用途跟1993年6月21日及1993年7月5日勘測的土地用途有別
Indicates that the use is different from that revealed by the land use survey conducted by the Planning Department on 21.6.1993 & 5.7.1993

圖例 LEGEND

- 申請地點(界線只作識別用)
APPLICATION SITE (BOUNDARY FOR IDENTIFICATION PURPOSE ONLY)
- 住宅(丙類)
RESIDENTIAL (GROUP C)
- 未決定用途
UNDETERMINED
- 住用構築物
RESIDENTIAL STRUCTURES
- 休耕農地
FALLOW AGRICULTURAL LAND
- 實地照片的觀景點
VIEWING POINT OF SITE PHOTO
- 入口/出口
INGRESS / EGRESS

平面圖 SITE PLAN

擬議臨時貨倉存放建築材料 (為期3年)
元朗白沙村丈量約份第119約地段第777號(部分)
PROPOSED TEMPORARY WAREHOUSE FOR STORAGE OF
CONSTRUCTION MATERIAL FOR A PERIOD OF 3 YEARS
LOT 777 (PART) IN D.D.119, PAK SHA TSUEN, YUEN LONG

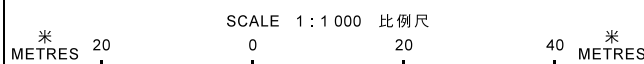
本摘要圖於2019年10月24日擬備, 所根據的
資料為測量圖編號 6-NW-19C
EXTRACT PLAN PREPARED ON 24.10.2019
BASED ON SURVEY SHEET No. 6-NW-19C

規劃署
PLANNING
DEPARTMENT



參考編號
REFERENCE No.
A/YL-TYST/987

圖 PLAN
A-2





白沙村
Pak Sha
Tsuen

逸林
首府
One
Hyde
Park

連接公庵路的通道
Access Leading from
Kung Um Road

公庵路
KUNG UM ROAD

圖例 LEGEND



申請地點(界線只作識別用)
APPLICATION SITE
(BOUNDARY FOR IDENTIFICATION
PURPOSE ONLY)

本摘要圖於2019年10月24日擬備，所根據
的資料為地政總署於2018年3月22日拍得
的航攝照片編號 E036655C
EXTRACT PLAN PREPARED ON 24.10.2019
BASED ON AERIAL PHOTO No.
E036655C TAKEN ON 22.3.2018
BY LANDS DEPARTMENT

航攝照片 AERIAL PHOTO

擬議臨時貨倉存放建築材料(為期3年)
元朗白沙村丈量約份第119約地段第777號(部分)
PROPOSED TEMPORARY WAREHOUSE FOR STORAGE OF
CONSTRUCTION MATERIAL FOR A PERIOD OF 3 YEARS
LOT 777 (PART) IN D.D.119, PAK SHA TSUEN, YUEN LONG

規劃署
PLANNING
DEPARTMENT



參考編號
REFERENCE No.
AYL-TYST/987

圖 PLAN
A-3



實地照片 SITE PHOTOS

擬議臨時貨倉存放建築材料（為期3年）
元朗白沙村丈量約份第119約地段第777號(部分)
PROPOSED TEMPORARY WAREHOUSE FOR STORAGE OF
CONSTRUCTION MATERIAL FOR A PERIOD OF 3 YEARS
LOT 777 (PART) IN D.D.119, PAK SHA TSUEN, YUEN LONG

規劃署
PLANNING
DEPARTMENT



參考編號
REFERENCE No.
AYL-TYST/987

圖 PLAN
A-4

本圖於2019年10月23日擬備，所根據的資料為攝於2019年9月24日的實地照片
PLAN PREPARED ON 23.10.2019
BASED ON SITE PHOTOS
TAKEN ON 24.9.2019