

Project 項目名稱:
 Temporary Vehicle Repairing Workshop for Private Car for a Period of 3 Years at Lot 143 (Part) & Adjoining Government Land in D.D. 52, Sheung Shui, New Territories

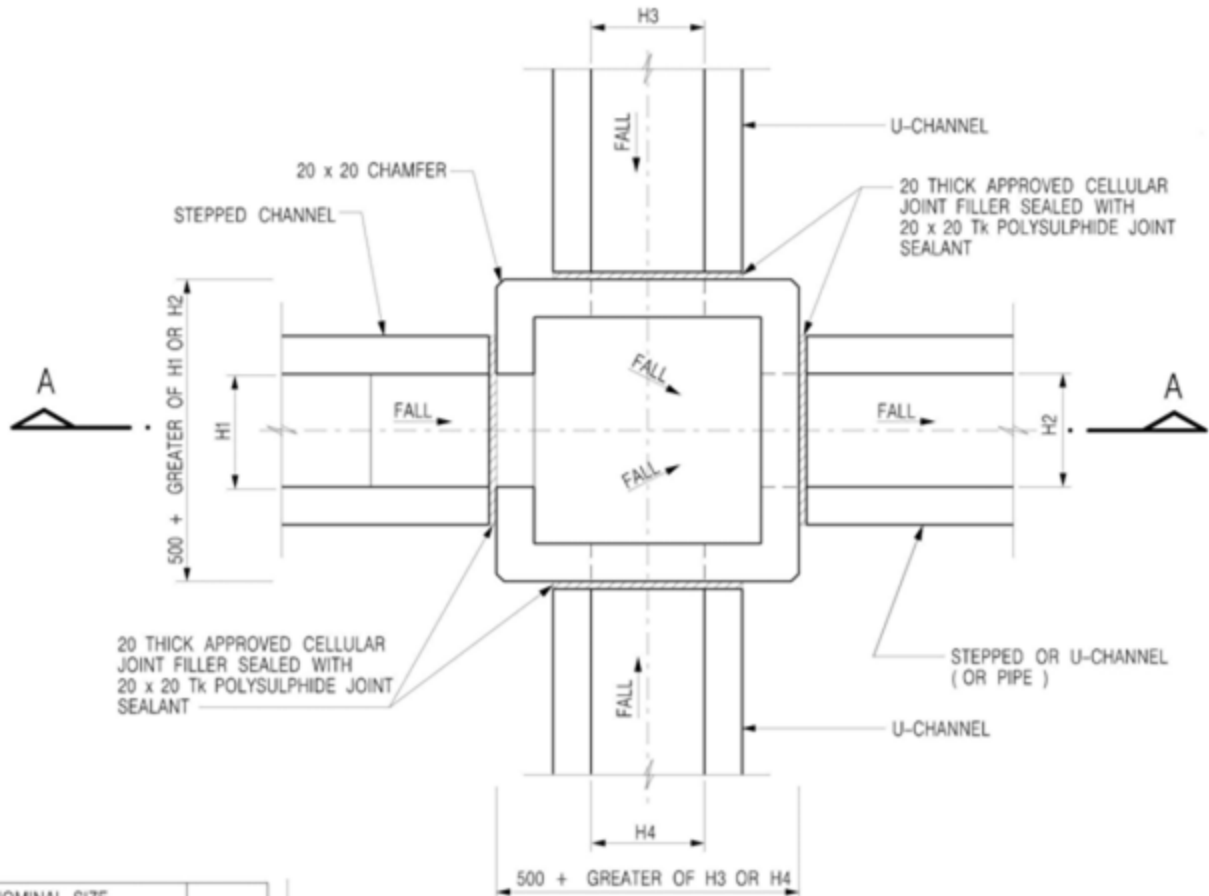
Drawing Title 圖目:
Drainage Plan

Drawing No. 圖號:
Figure 4

Remarks 備註:

- External catchment
- Application site
- Proposed catchpit
- + 13.6 Level (in mPD)
- Flow of surface runoff
- Catchpit with sand trap

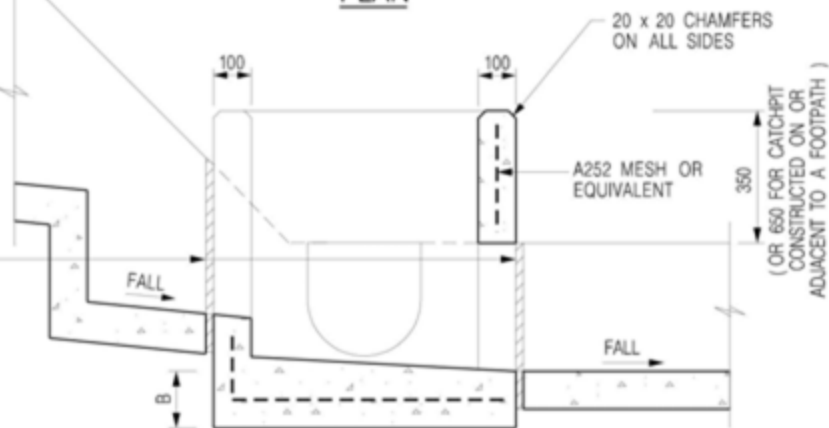
Scale 比例:
 1:1000



PLAN

NOMINAL SIZE (LARGEST OF H1, H2, H3 & H4)	B
300 - 600	150
675 - 900	175

20 THICK APPROVED CELLULAR JOINT FILLER SEALED WITH 20 x 20 Tk POLYSULPHIDE JOINT SEALANT



SECTION A - A

NOTES:

1. ALL DIMENSIONS ARE IN MILLIMETRES.
2. REFER TO SHEET 5 FOR OTHER NOTES.

Project 項目名稱:

Temporary Vehicle Repairing Workshop for Private Car for a Period of 3 Years at Lot 143 (Part) & Adjoining Government Land in D.D. 52, Sheung Shui, New Territories

Drawing Title 圖目:

The Details of the Proposed Catchpit

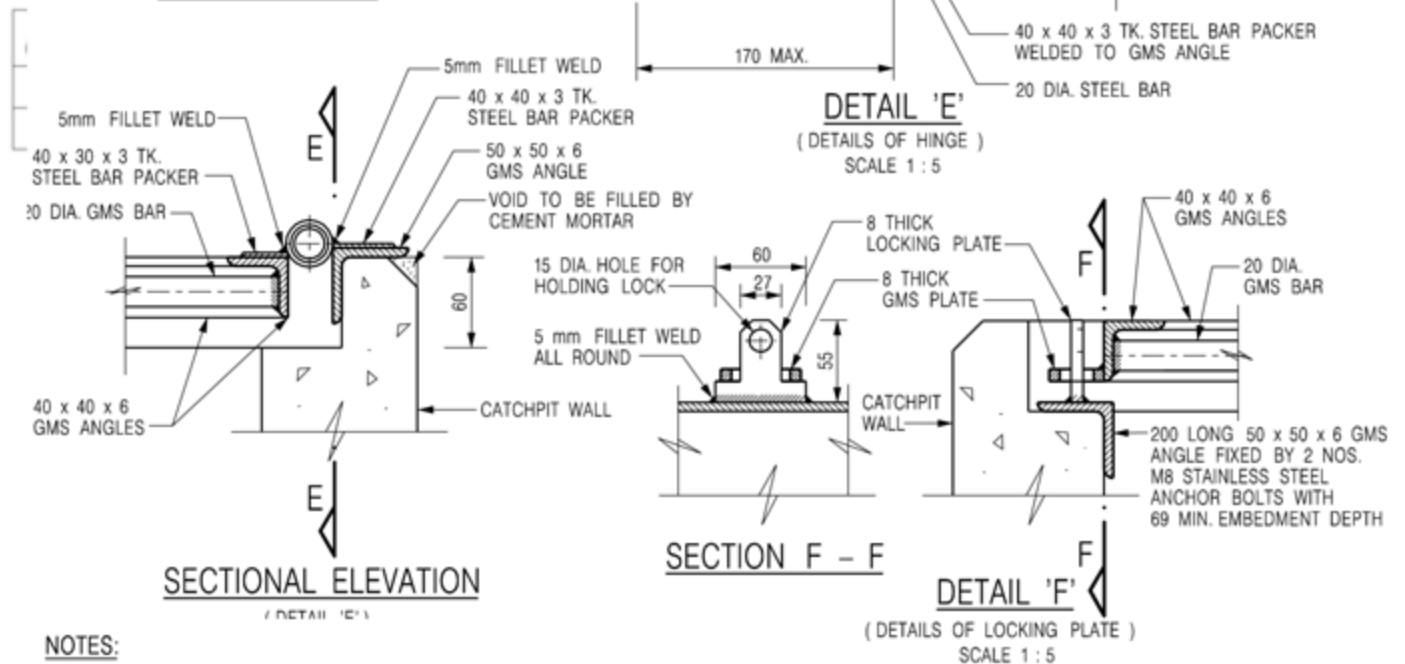
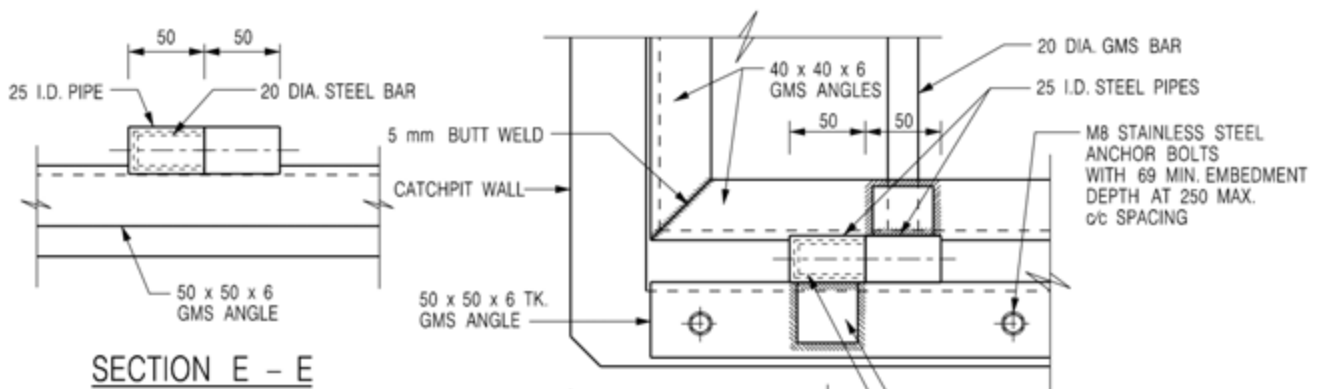
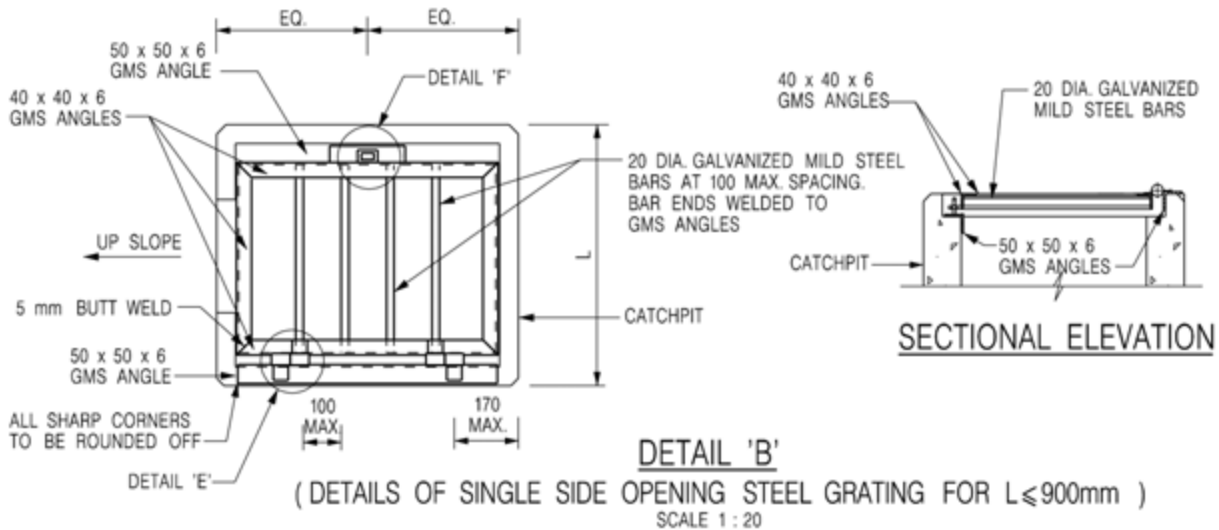
Remarks 備註:

Drawing No. 圖號:

Figure 5

Scale 比例:

Not to scale

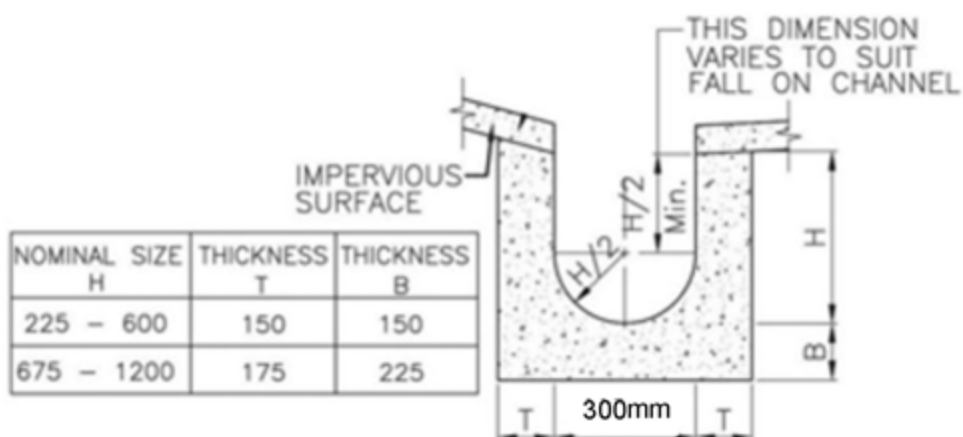


NOTES:

1. ALL DIMENSIONS ARE IN MILLIMETRES.
2. REFER TO SHEET 5 FOR OTHER NOTES.

3. REFER TO SHEET 3 FOR OTHER NOTES.

<p>Project 項目名稱: Temporary Vehicle Repairing Workshop for Private Car for a Period of 3 Years at Lot 143 (Part) & Adjoining Government Land in D.D. 52, Sheung Shui, New Territories</p>	<p>Drawing Title 圖目: The Details of the Proposed Catchpit with Covers</p>	<p>Remarks 備註:</p>
<p>Drawing No. 圖號: Figure 6</p>	<p>Scale 比例: Not to scale</p>	



NOMINAL SIZE H	THICKNESS T	THICKNESS B
225 - 600	150	150
675 - 1200	175	225

DETAILS OF U-CHANNEL
 (REFERENCE : FIG. 8.11 OF
 GEOTECHNICAL MANUAL FOR SLOPES)
 (N.T.S.)

Project 項目名稱:

Temporary Vehicle Repairing Workshop for Private Car for a Period of 3 Years at Lot 143 (Part) & Adjoining Government Land in D.D. 52, Sheung Shui, New Territories

Drawing Title 圖目:

Details of Proposed Surface U-channel

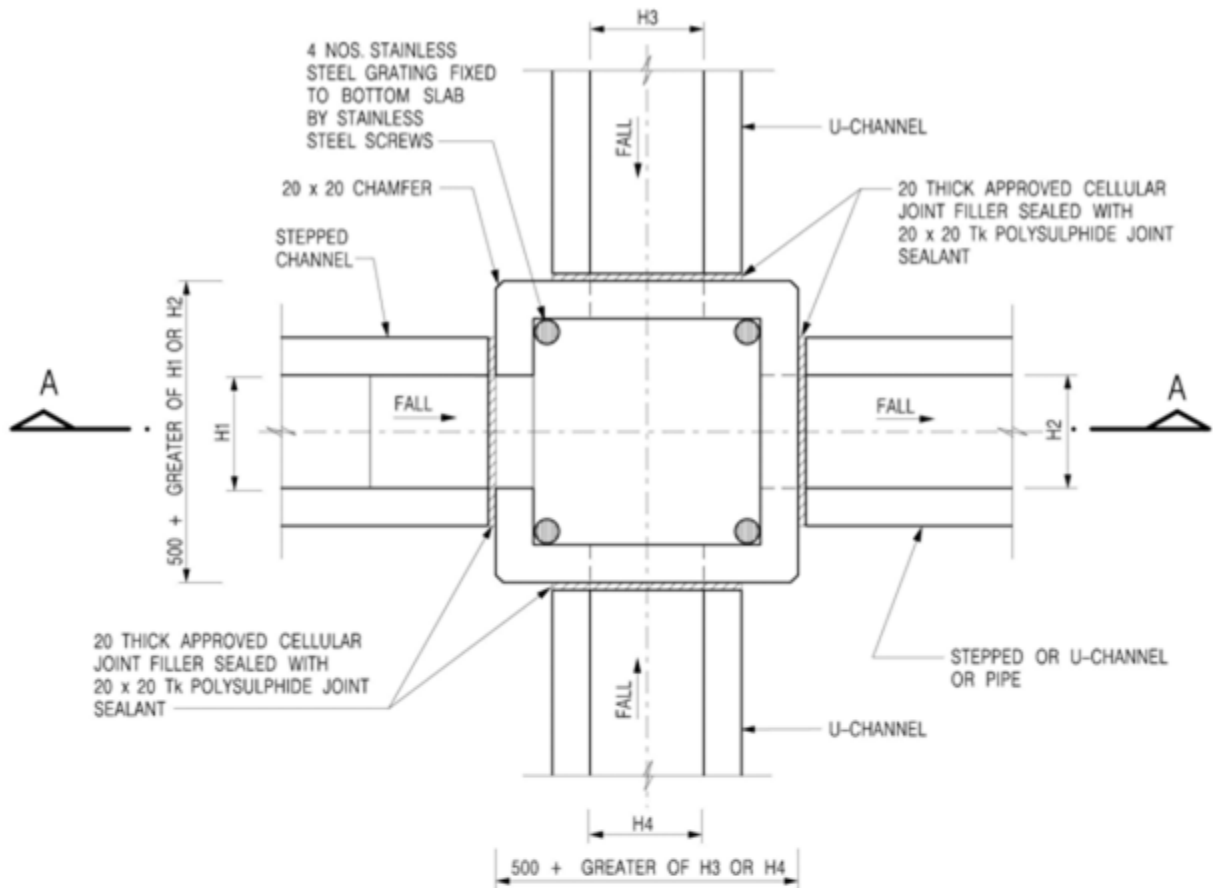
Remarks 備註:

Drawing No. 圖號:

Figure 7

Scale 比例:

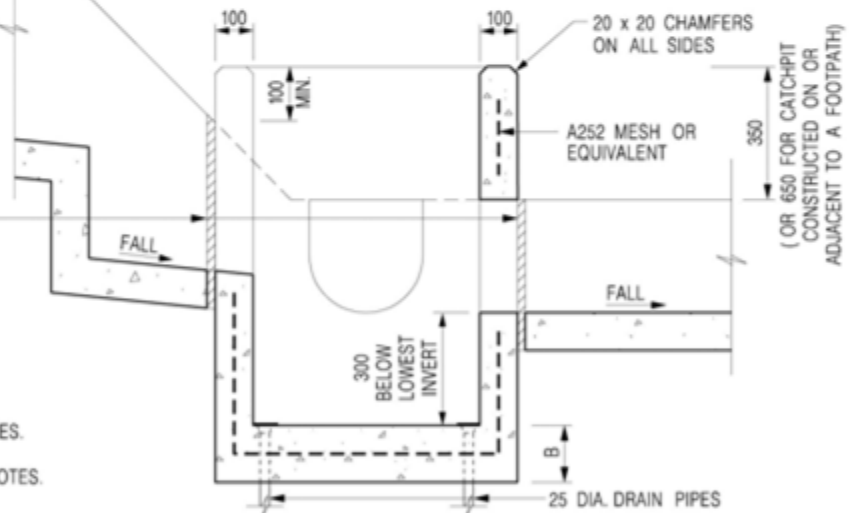
Not to scale



PLAN

NOMINAL SIZE (LARGEST OF H1, H2, H3 & H4)	B
300 - 600	150
675 - 900	175

20 THICK APPROVED CELLULAR JOINT FILLER SEALED WITH 20 x 20 Tk POLYSULPHIDE JOINT SEALANT



SECTION A - A

NOTES:

1. ALL DIMENSIONS ARE IN MILLIMETRES.
2. REFER TO SHEET 2 FOR OTHER NOTES.

Project 項目名稱:

Temporary Vehicle Repairing Workshop for Private Car for a Period of 3 Years at Lot 143 (Part) & Adjoining Government Land in D.D. 52, Sheung Shui, New Territories

Drawing Title 圖名:

The Details of Catchpit with Desilting Function

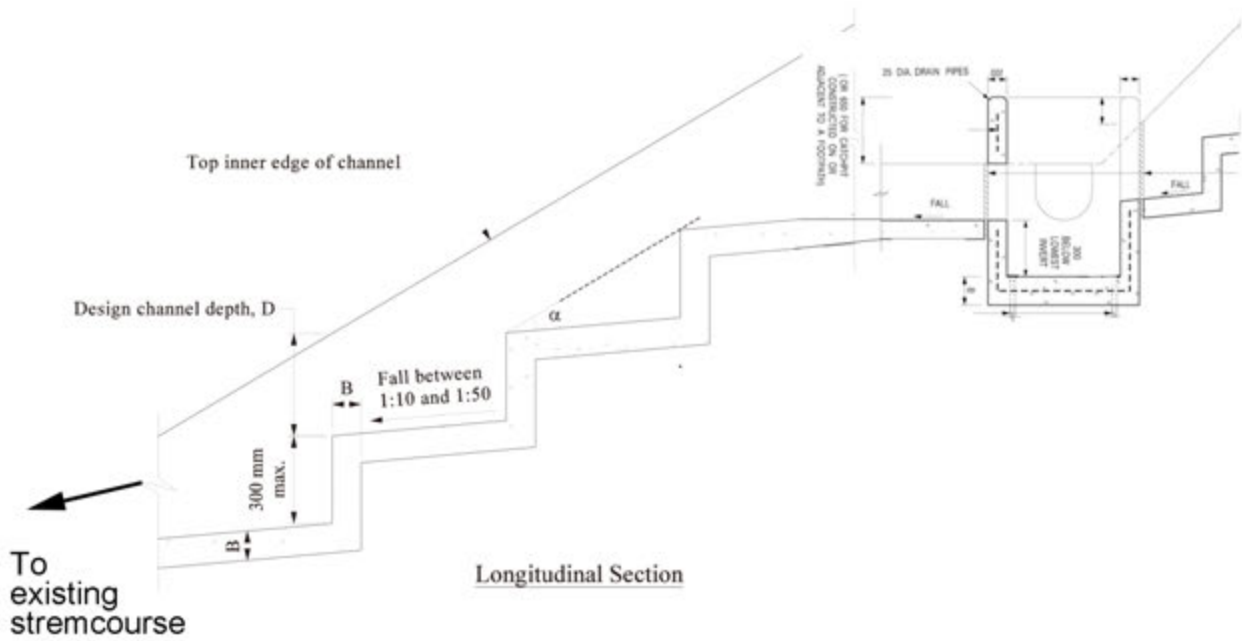
Remarks 備註:

Drawing No. 圖號:

Figure 8

Scale 比例:

Not to scale



Project 項目名稱:

Temporary Vehicle Repairing Workshop for Private Car for a Period of 3 Years at Lot 143 (Part) & Adjoining Government Land in D.D. 52, Sheung Shui, New Territories

Drawing Title 圖目:

Connection Details to Streamcourse

Remarks 備註:

Drawing No. 圖號:

Figure 9

Scale 比例:

Not to scale